

Feeney® Base Plate Covers

for use with DesignRail® base mounted posts

Base Plate Covers (SKU: 7737) are made from powder-coated aluminum. These easy to install 2-piece covers conceal the lag screw heads and base plates of the posts. Can be used on new or existing DesignRail® installations.

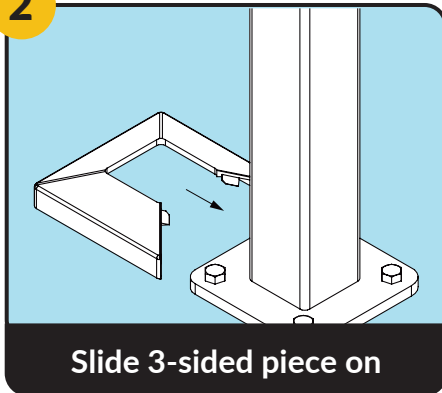
1



STEP 1 - Apply silicon sealant

Apply a thin bead of silicone sealant along the inside flange of both pieces of base plate cover.

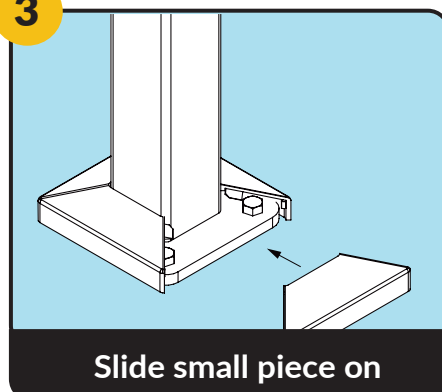
2



STEP 2 - Slide on 3-sided piece

Slide the 3-sided piece into place over the post base plate.

3



STEP 3 - Slide on small piece

Then slide small piece over the open side and snap into the large piece.