



# CABLE·RAIL<sup>®</sup> CUSTOM

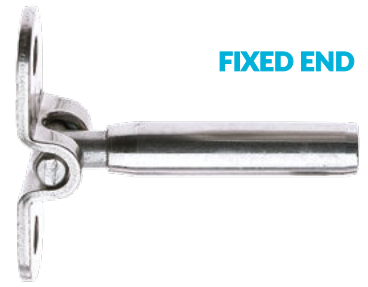
## Fixed Surface Mount

Feeney® Fixed Surface Mount is a Fixed End fitting that can be used for wood or composite railing frames and attach to the inside faces of posts using lag screws or bolts. Surface Mount fittings feature 130° pivoting and can be used in stair and level applications for a cohesive look. Cable assemblies are available pre-attached (machine swaged **M**) or ready to attach in the field (CableCrimp™ **C**).

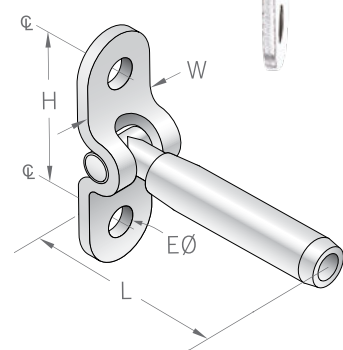
Must be paired with a Tension Adjustment fitting; use with Feeney Bulk Cable, sold separately.

### FEATURES & BENEFITS

- For use with wood or metal frames, stair or level railings
- Made of Type 316 marine-grade stainless steel
- Attaches with lag screws or bolts, allows for 130° pivoting
- For CableCrimp™ fittings (**C**) use the Crimper tool to attach fittings to cable in the field
- Must be paired with a Surface Mount Tensioner or another Tension Adjustment fitting for one run of cable



FIXED END



### FIXED SURFACE MOUNT

Part#	Swage	CableØ	EØ	H	W	L
3281	<b>M</b>	1/8"	1/4"	1-5/16"	5/8"	2-1/8"
3284	<b>M</b>	3/16"	1/4"	1-5/16"	5/8"	2-1/4"
3337	<b>M</b>	1/4"	5/16"	1-1/2"	3/4"	3-1/4"
3333**	<b>C</b>	1/8"	1/4"	1-5/16"	5/8"	3"
3334	<b>C</b>	3/16"	1/4"	1-5/16"	5/8"	3"

\*\* #3333 same as #3334 but includes insert sleeve for crimping onto 1/8" cable

FEENEY IS A MEMBER OF:



## CUSTOM CABLERAIL FITTINGS

Projects with special installation conditions or design considerations may require certain styles of cable and fittings not addressed by our CableRail Kits. To fulfill those specific design and function needs, Feeney offers a wide assortment of cables, turnbuckles, terminals, adjusters, and fixed ends for custom assemblies. You can either order individual components and build your own assemblies, or let us fabricate them for you, ready to install.

All of our cables and fittings are manufactured from high-quality 316-grade stainless steel with a tumbled satin finish for weather-tough durability, low maintenance, and lasting beauty. Swaged fittings come in two types:



**M**

### MACHINE SWAGING (SWÄJ'ING)

Machine swage fittings are attached to the cable at our factory using a hydraulic cold forming press. The swage shank portion of the fitting is pressed on to the end of the cable and has a uniform hexagonal shape when finished. Assemblies using Machine Swage type fittings are fabricated to your exact lengths in our factory and then shipped ready to install.



**C**

### CABLECRIMP™ HAND SWAGING

CableCrimp™ style fittings are attached to the cable by hand in the field using a special CableCrimp™ Crimper tool. After proper crimping, the fitting will display several evenly spaced compression marks where the tool was engaged. Most 1/8-in and 3/16-in cable fittings are available in CableCrimp™ styles.

## CABLE ASSEMBLIES

There are two types of fittings: Fixed End fittings and Tension Adjustment fittings.

**Each cable assembly must include at least one Tension Adjustment fitting.**



## TENSION ADJUSTMENT FITTINGS

- Include Tensioner fittings, Turnbuckles, Threaded Terminals, and Adjusters
- Tension is adjusted by spinning the tubular body on Tensioners and Turnbuckles, tightening the bolt on ThreadedTerminals, or rotating the bolt on the Adjusters
- Tension Adjustment fittings can be paired with either a Fixed End or another Tension Adjustment fitting.

## FIXED END FITTINGS

- Non-adjustable end termination fittings
- No tensioning capabilities
- Must be paired with a Tension Adjustment fitting

**NOTE:**

CableRail is made of marine grade stainless steel and will last for years with regular maintenance. Learn more: [feeneyinc.com/Warranty-and-Care](https://feeneyinc.com/Warranty-and-Care).

## SPECIALLY ENGINEERED TOOLS FOR CABLERAIL



**Cable Cutters**

For shearing stainless steel cables up to 1/8" diameter.



**Cable Cutters**

For shearing stainless steel cables up to 1/4" diameter.



**Stainless Steel Cleaner Kit**

Clean and maintain all stainless steel surfaces, fittings, and cables.



**Cable Tension Gauge**

Easy-to-use tool for checking cable tension.



**CableCrimp™ Crimper**

For attaching 1/8-in and 3/16-in CableCrimp™ style hand swage fittings in the field.