

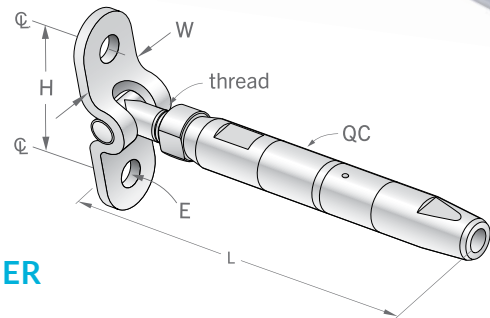
CABLE·RAIL® FITTINGS

Quick-Connect® Surface Mount Tensioner

Feeney® Quick-Connect® Surface Mount Tensioners can be used for wood or metal railing frames and attach to the inside faces of posts using screws or bolts. These fittings feature 130° pivoting and can be used in stair and level applications for a cohesive look. Use with Feeney Bulk Cable, sold separately.

FEATURES & BENEFITS

- For use with wood or metal frames, stair or level railings
- Made of Type 316 marine-grade stainless steel
- Machined flats allow tools to securely grip the fitting to adjust tension without marring the polished surface
- Use 3/8" wrenches or the Feeney Wrench Wheel to tighten
- Attaches with screws or bolts; packaged fitting includes two 1/4x2 screws with #3 square drive
- Allows for 130° pivoting
- Typically paired with a Surface Mount Fixed End fitting for one run of cable



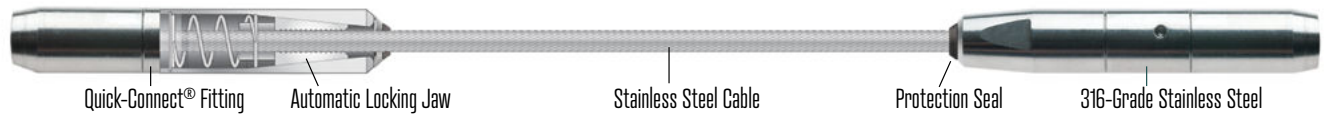
QUICK-CONNECT® SURFACE MOUNT TENSIONER

Part#	CableØ	Thread	EØ	H	W	L (closed/open)	QCØ
9913W-PKG	1/8"	1/4-20	1/4"	1-5/16"	5/8"	4" (4-3/4")	7/16"
9813	3/16"	5/16-18	5/16"	1-1/2"	3/4"	4-1/2" (5-1/2")	9/16"

FEENEY IS A MEMBER OF:



QUICK-CONNECT® TECHNOLOGY



Feeney Quick-Connect® fittings offer the flexibility of assembling cables in the field with simplicity and speed. Patented automatic-locking-jaws grip the cable with no need for specialized tools. Simply trim your cable to length, push the end into the Quick-Connect® fitting, and the spring-loaded jaws automatically engage. You're ready to go!

Made from 316-grade stainless steel for weather-tough durability, low maintenance, and lasting beauty. Fittings also come with a silicone protection seal pre-inserted into the end, providing added protection against dirt and debris entering the body of the fitting. If necessary, our Quick-Connect® Release Tool can be used to disengage and remove or readjust the fitting.

CABLE ASSEMBLIES

There are two types of fittings: Fixed End fittings and Tension Adjustment fittings.

Each cable assembly must include at least one Tension Adjustment fitting.



TENSION ADJUSTMENT FITTINGS

- Include Tensioner fittings, Turnbuckles, Threaded Terminals, and Adjusters
- Tension is adjusted by spinning the tubular body on Tensioners and Turnbuckles, tightening the bolt on Threaded Terminals, or rotating the bolt on the Adjusters
- Tension Adjustment fittings can be paired with either a Fixed End or another Tension Adjustment fitting.

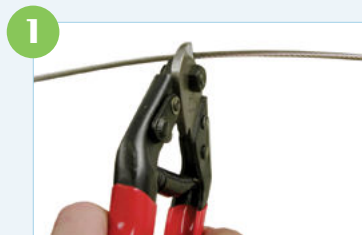
FIXED END FITTINGS

- Non-adjustable end termination fittings
- No tensioning capabilities
- Must be paired with a Tension Adjustment fitting

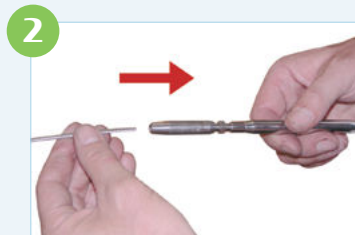
NOTE:

CableRail is made of marine grade stainless steel and will last for years with regular maintenance. Learn more: feeneyinc.com/Warranty-and-Care.

EASY INSTALLATION



TRIM CABLE TO LENGTH



INSERT CABLE INTO FITTING



JAWS LOCK AUTOMATICALLY

SPECIALLY ENGINEERED TOOLS FOR CABLERAIL



Quick-Connect® Release Tool

For releasing the Quick-Connect® jaws to remove or adjust fitting.



Wrench Wheel

An easy-to-use tool for tensioning Quick-Connect® Tensioner fittings.



Cable Lacing Needle

For quickly lacing cable ends through posts without snagging.



Cable Tension Gauge

Easy-to-use tool for checking cable tension.



Stainless Steel Cleaner Kit

Clean and maintain all stainless steel surfaces, fittings, and cables.