



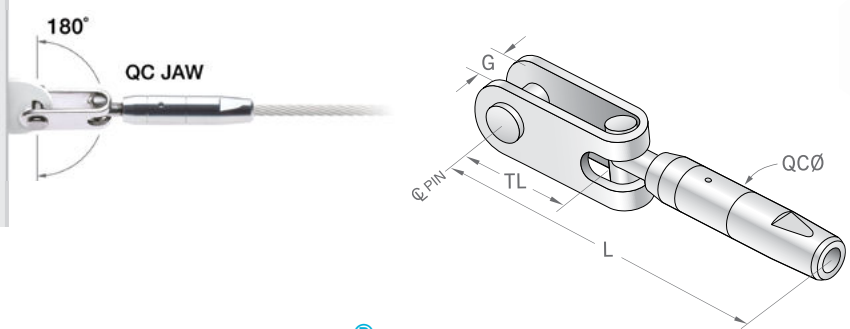
CABLE·RAIL® CUSTOM Quick-Connect® Jaw

Feeney® Quick-Connect® Jaw Fixed End fittings are used for metal railing frames and attach to eyebolts, eyelets or drilled tabs using a removable clevis pin. Jaw fittings are ideal for stair railing frames with 180° pivoting, but can also be used in level applications if desired.

Must be paired with a Tension Adjustment fitting; use with Feeney Bulk Cable, sold separately.

FEATURES & BENEFITS

- For use with metal frames, stair or level railings
- Made of Type 316 marine-grade stainless steel
- Attaches with removable clevis pin
- Allows for 180° pivoting
- Must be paired with a Jaw Tensioner or another Tension Adjustment fitting for one run of cable



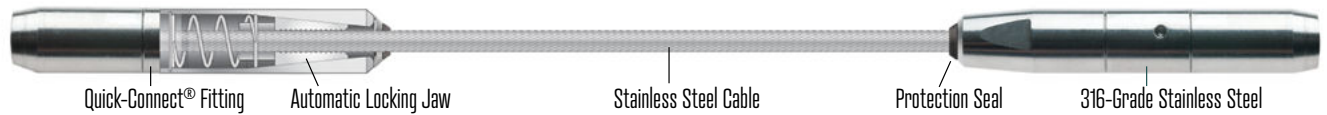
QUICK-CONNECT® JAW

Part#	CableØ	PinØ	TL	G	L	QCØ	Pin DrillØ
9901-PKG	1/8"	1/4"	7/8"	5/16"	3-1/4"	7/16"	5/16"
9801	3/16"	5/16"	1"	3/8"	4-5/8"	9/16"	3/8"

FEENEY IS A MEMBER OF:



QUICK-CONNECT® TECHNOLOGY



Feeney Quick-Connect® fittings offer the flexibility of assembling cables in the field with simplicity and speed. Patented automatic-locking-jaws grip the cable with no need for specialized tools. Simply trim your cable to length, push the end into the Quick-Connect® fitting, and the spring-loaded jaws automatically engage. You're ready to go!

Made from 316-grade stainless steel for weather-tough durability, low maintenance, and lasting beauty. Fittings also come with a silicone protection seal pre-inserted into the end, providing added protection against dirt and debris entering the body of the fitting. If necessary, our Quick-Connect® Release Tool can be used to disengage and remove or readjust the fitting.

CABLE ASSEMBLIES

There are two types of fittings: Fixed End fittings and Tension Adjustment fittings.

Each cable assembly must include at least one Tension Adjustment fitting.



TENSION ADJUSTMENT FITTINGS

- Include Tensioner fittings, Turnbuckles, Threaded Terminals, and Adjusters
- Tension is adjusted by spinning the tubular body on Tensioners and Turnbuckles, tightening the bolt on Threaded Terminals, or rotating the bolt on the Adjusters
- Tension Adjustment fittings can be paired with either a Fixed End or another Tension Adjustment fitting.

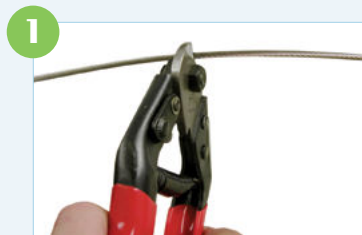
FIXED END FITTINGS

- Non-adjustable end termination fittings
- No tensioning capabilities
- Must be paired with a Tension Adjustment fitting

NOTE:

CableRail is made of marine grade stainless steel and will last for years with regular maintenance. Learn more: feeneyinc.com/Warranty-and-Care.

EASY INSTALLATION



TRIM CABLE TO LENGTH



INSERT CABLE INTO FITTING



JAWS LOCK AUTOMATICALLY

SPECIALLY ENGINEERED TOOLS FOR CABLERAIL



Quick-Connect® Release Tool

For releasing the Quick-Connect® jaws to remove or adjust fitting.



Wrench Wheel

An easy-to-use tool for tensioning Quick-Connect® Tensioner fittings.



Cable Lacing Needle

For quickly lacing cable ends through posts without snagging.



Cable Tension Gauge

Easy-to-use tool for checking cable tension.



Stainless Steel Cleaner Kit

Clean and maintain all stainless steel surfaces, fittings, and cables.