

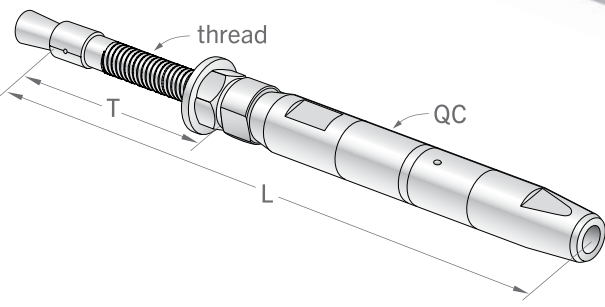


CABLE·RAIL® CUSTOM Quick-Connect® Expansion Anchor Tensioner

Feeney® Quick-Connect® Expansion Anchor Tensioners are used for anchoring CableRail into masonry wall or posts. Expansion Anchor Tensioners are best for level railing applications. Use with Feeney Bulk Cable, sold separately.

FEATURES & BENEFITS

- For anchoring cables into masonry wall or posts
- Made of Type 316 marine-grade stainless steel
- Machined flats allow tools to securely grip the fitting without marring the polished surface
- Use 3/8" wrenches or the Feeney Wrench Wheel to adjust tension
- Typically paired with an Expansion Anchor Fixed End fitting for one run of cable



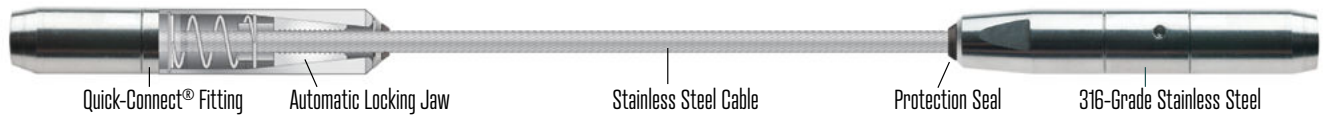
QUICK-CONNECT® EXPANSION ANCHOR TENSIONER

Part#	CableØ	Thread	T	L (closed/open)	QCØ	DrillØ
9914-PKG	1/8"	1/4-20	1-1/2"	4-1/4" (5")	7/16"	1/4"

FEENEY IS A MEMBER OF:



QUICK-CONNECT® TECHNOLOGY



Feeney Quick-Connect® fittings offer the flexibility of assembling cables in the field with simplicity and speed. Patented automatic-locking-jaws grip the cable with no need for specialized tools. Simply trim your cable to length, push the end into the Quick-Connect® fitting, and the spring-loaded jaws automatically engage. You're ready to go!

Made from 316-grade stainless steel for weather-tough durability, low maintenance, and lasting beauty. Fittings also come with a silicone protection seal pre-inserted into the end, providing added protection against dirt and debris entering the body of the fitting. If necessary, our Quick-Connect® Release Tool can be used to disengage and remove or readjust the fitting.

CABLE ASSEMBLIES

There are two types of fittings: Fixed End fittings and Tension Adjustment fittings.

Each cable assembly must include at least one Tension Adjustment fitting.



TENSION ADJUSTMENT FITTINGS

- Include Tensioner fittings, Turnbuckles, Threaded Terminals, and Adjusters
- Tension is adjusted by spinning the tubular body on Tensioners and Turnbuckles, tightening the bolt on Threaded Terminals, or rotating the bolt on the Adjusters
- Tension Adjustment fittings can be paired with either a Fixed End or another Tension Adjustment fitting.

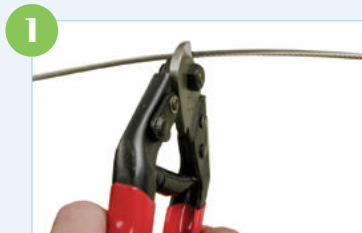
FIXED END FITTINGS

- Non-adjustable end termination fittings
- No tensioning capabilities
- Must be paired with a Tension Adjustment fitting

NOTE:

CableRail is made of marine grade stainless steel and will last for years with regular maintenance. Learn more: feeneyinc.com/Warranty-and-Care.

EASY INSTALLATION



TRIM CABLE TO LENGTH



INSERT CABLE INTO FITTING



JAWS LOCK AUTOMATICALLY

SPECIALLY ENGINEERED TOOLS FOR CABLERAIL



Quick-Connect® Release Tool

For releasing the Quick-Connect® jaws to remove or adjust fitting.



Wrench Wheel

An easy-to-use tool for tensioning Quick-Connect® Tensioner fittings.



Cable Lacing Needle

For quickly lacing cable ends through posts without snagging.



Cable Tension Gauge

Easy-to-use tool for checking cable tension.



Stainless Steel Cleaner Kit

Clean and maintain all stainless steel surfaces, fittings, and cables.