

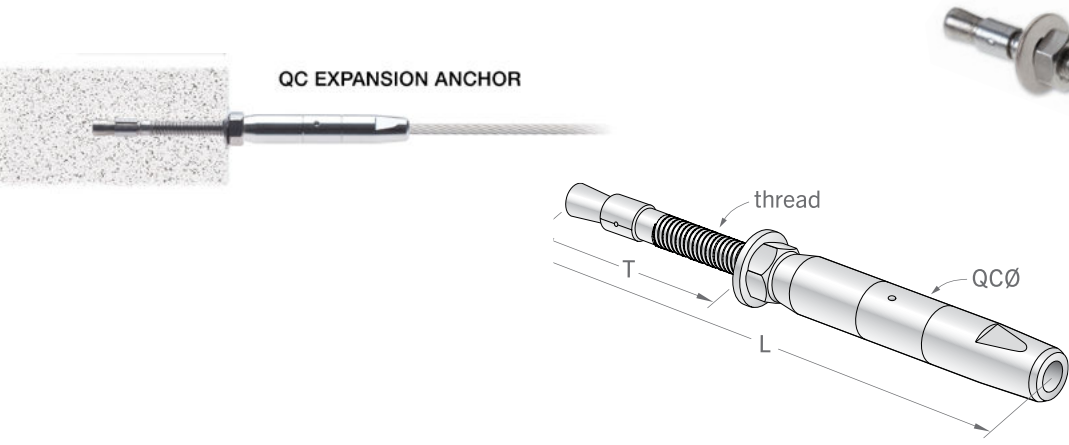


# CABLE·RAIL® CUSTOM Quick-Connect® Expansion Anchor

Feeney® Quick-Connect® Expansion Anchors are Fixed End fittings used for anchoring CableRail into masonry wall or posts. Expansion Anchor fittings are best for level railing applications. Use with Feeney Bulk Cable, sold separately.

## FEATURES & BENEFITS

- For anchoring cables into masonry wall or posts
- Made of Type 316 marine-grade stainless steel
- Must be paired with a Expansion Anchor Tensioner or another Tension Adjustment fitting for one run of cable



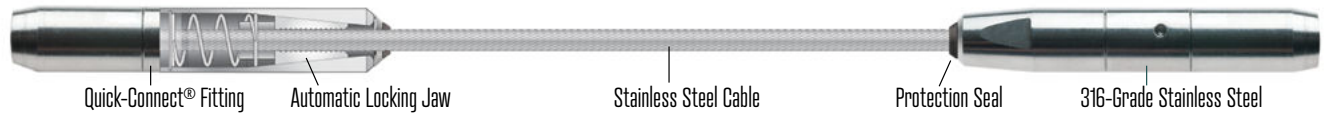
## QUICK-CONNECT® EXPANSION ANCHOR

Part#	CableØ	Thread	T	L (closed/open)	QCØ	DrillØ
9906-PKG	1/8"	1/4-20	1-1/2"	4-1/4" (5")	7/16"	1/4"

FEENEY IS A MEMBER OF:



## QUICK-CONNECT® TECHNOLOGY



Feeney Quick-Connect® fittings offer the flexibility of assembling cables in the field with simplicity and speed. Patented automatic-locking-jaws grip the cable with no need for specialized tools. Simply trim your cable to length, push the end into the Quick-Connect® fitting, and the spring-loaded jaws automatically engage. You're ready to go!

Made from 316-grade stainless steel for weather-tough durability, low maintenance, and lasting beauty. Fittings also come with a silicone protection seal pre-inserted into the end, providing added protection against dirt and debris entering the body of the fitting. If necessary, our Quick-Connect® Release Tool can be used to disengage and remove or readjust the fitting.

## CABLE ASSEMBLIES

There are two types of fittings: Fixed End fittings and Tension Adjustment fittings.

**Each cable assembly must include at least one Tension Adjustment fitting.**



## TENSION ADJUSTMENT FITTINGS

- Include Tensioner fittings, Turnbuckles, Threaded Terminals, and Adjusters
- Tension is adjusted by spinning the tubular body on Tensioners and Turnbuckles, tightening the bolt on Threaded Terminals, or rotating the bolt on the Adjusters
- Tension Adjustment fittings can be paired with either a Fixed End or another Tension Adjustment fitting.

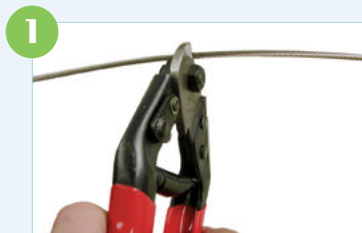
## FIXED END FITTINGS

- Non-adjustable end termination fittings
- No tensioning capabilities
- Must be paired with a Tension Adjustment fitting

### NOTE:

CableRail is made of marine grade stainless steel and will last for years with regular maintenance. Learn more: [feeneyinc.com/Warranty-and-Care](https://feeneyinc.com/Warranty-and-Care).

## EASY INSTALLATION



TRIM CABLE TO LENGTH



INSERT CABLE INTO FITTING



JAWS LOCK AUTOMATICALLY

## SPECIALLY ENGINEERED TOOLS FOR CABLERAIL



### Quick-Connect® Release Tool

For releasing the Quick-Connect® jaws to remove or adjust fitting.



### Wrench Wheel

An easy-to-use tool for tensioning Quick-Connect® Tensioner fittings.



### Cable Lacing Needle

For quickly lacing cable ends through posts without snagging.



### Cable Tension Gauge

Easy-to-use tool for checking cable tension.



### Stainless Steel Cleaner Kit

Clean and maintain all stainless steel surfaces, fittings, and cables.