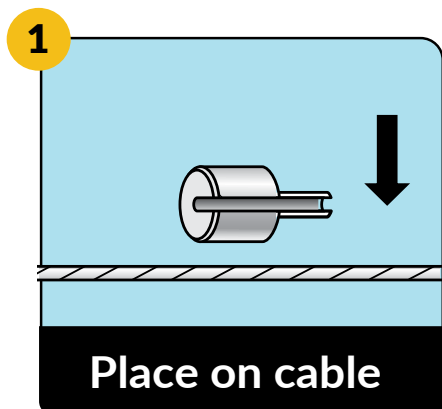


# Feeney® Quick-Connect® Release Tool

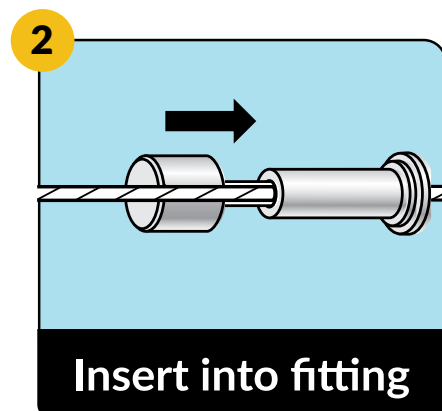
for use with Quick-Connect® fittings

The Quick-Connect® Release Tool (SKU: 3128) is used to open the jaws of the fitting to remove or adjust the positioning. For use with any railing frame type.



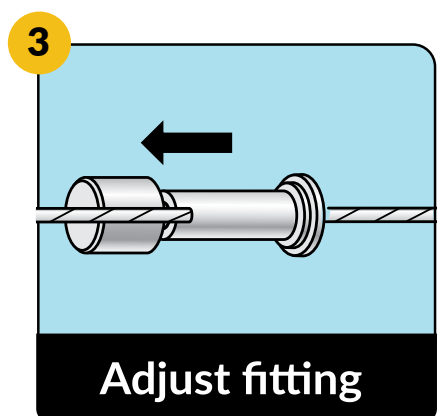
## STEP 1 - Place tool on cable

Snap the Release Tool onto the cable.



## STEP 2 - Insert into fitting

Insert the shaft of the tool into the end of the Quick-Connect® fitting and push firmly to release the jaws.



## STEP 3 - Adjust fitting

While maintaining pressure on the tool, remove or reposition the fitting as needed.

The automatic locking jaws will re-grip the cable when the tool is removed.

### NOTE

If the Quick-Connect® fitting has a silicone Protection Seal, remove the seal prior to inserting the tool.