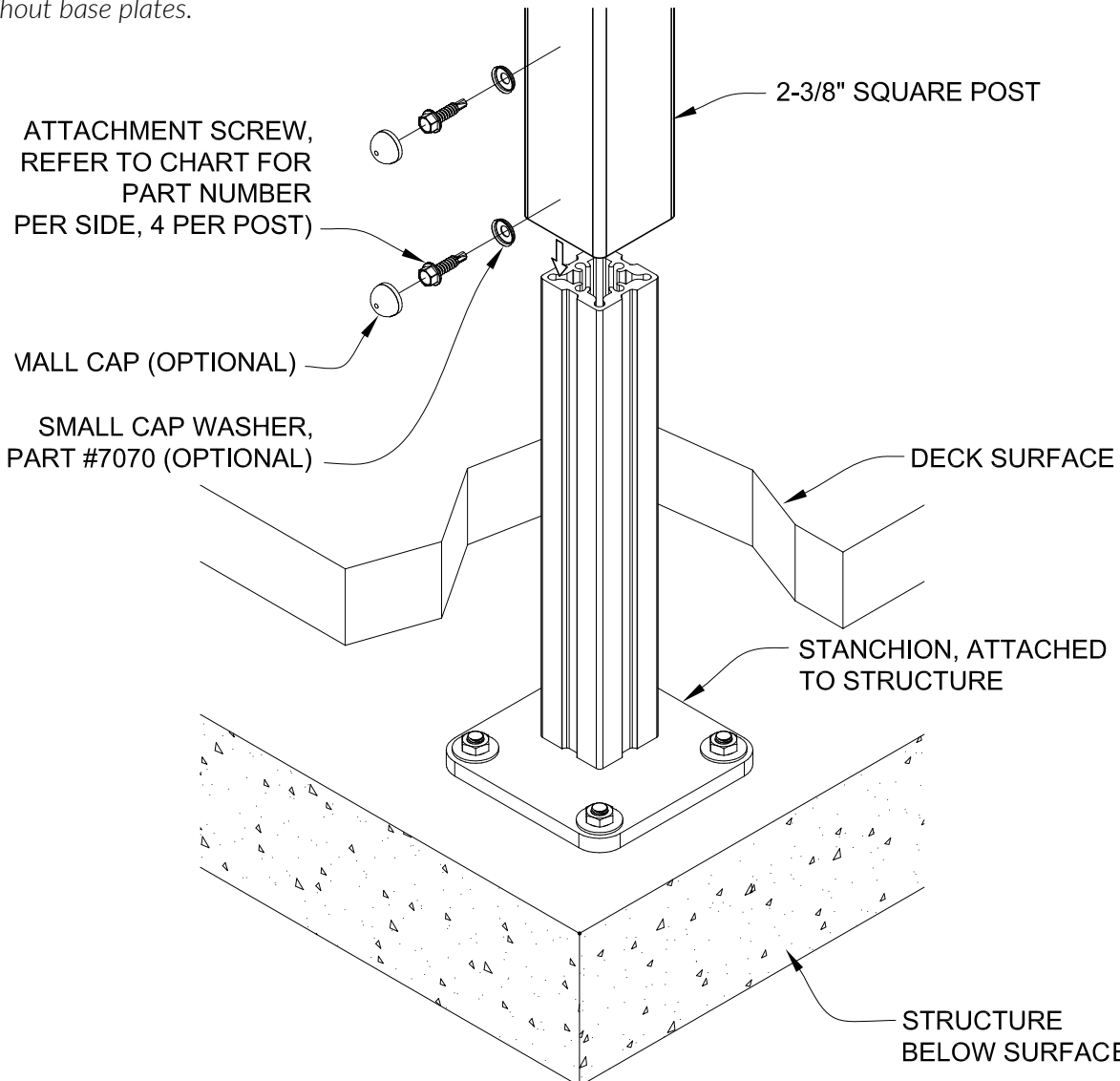




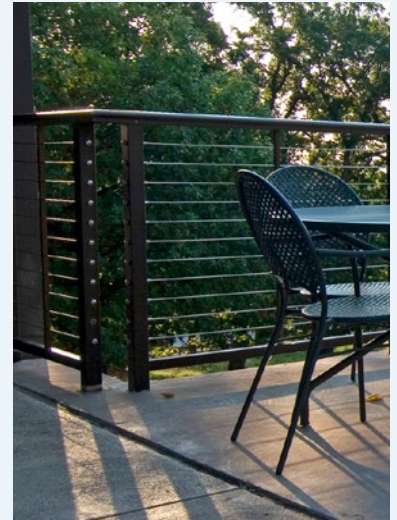
DesignRail® Stanchion Mounted Posts (with Base Plates)

For mounting with stone or tile covered concrete slabs or on roof decks where penetration of waterproof roofing membranes must be minimized. Short stanchions are attached to the structural members prior to pouring the slab or laying the roof membrane. Railing posts are then sleeved over the protruding stanchion ends and secured with screws. Stanchions are available in steel, aluminum, or stainless steel. Typically 12" tall but can be custom sized and supplied with or without base plates.



Stanchion Mounted Posts (with Base Plates)

STANCHION ORIENTATION	
ALUMINUM	<p>ALL POSTS 'SQUARE' STANCHION PART #7710</p> <p>ATTACHMENT SCREWS: #14x1" SS SELF-TAPPING SCREW, PART #7017</p>
	<p>INTERMEDIATE POSTS END/CORNER POSTS STEEL STANCHION PART #7107</p> <p>ATTACHMENT SCREWS: #14x1" SS SELF-TAPPING SCREW, PART #7017 OR 1/4-20 x 3/4" SS MACHINE SCREW, PART #3322</p>
STAINLESS STEEL	<p>INTERMEDIATE POSTS END/CORNER POSTS STAINLESS STEEL STANCHION PART #7108</p> <p>ATTACHMENT SCREWS: 1/4-20 x 3/4" SS MACHINE SCREW, PART #3322</p>



COMMERCIAL, EXTERIOR APPLICATION



RESIDENTIAL, INTERIOR APPLICATION

RECOMMENDATIONS FOR DRILLING THROUGH STAINLESS STEEL STANCHIONS:

1. Use cobalt drill bits (carbide NOT recommended)
2. Use gel cutting oil
3. Start with 1/8" and increase the hole size in 1/16" increments
4. Drill hole in one complete pass. Start slowly until reaching full speed, while applying consistent pressure. Avoid starting and stopping.