

# DesignRail® Aluminum Railing System

## Request for quote

DesignRail® railings are easily adaptable to any exterior, interior, commercial, or residential project. Simply choose from the style options below to create your perfect railing design. When complete, email form to [sales@feeneyinc.com](mailto:sales@feeneyinc.com) and copy your Feeney® representative.

\* Dealer Name & Location \_\_\_\_\_

\* Dealer Contact Person \_\_\_\_\_

\* Dealer Phone \_\_\_\_\_

\* Dealer Email \_\_\_\_\_

\* Customer/Project Name \_\_\_\_\_

\* Project Shipping Address \_\_\_\_\_

\* Project Timeline \_\_\_\_\_

\* Project Type

<input type="checkbox"/> Residential - New	<input type="checkbox"/> Residential - Remodel
<input type="checkbox"/> Commercial - New	<input type="checkbox"/> Commercial - Remodel

*(residential only)*

\* Project Location

<input type="checkbox"/> Indoor	<input type="checkbox"/> Inland
<input type="checkbox"/> Outdoor	<input type="checkbox"/> Coastal (Salt Water)

Distance from water \_\_\_\_\_

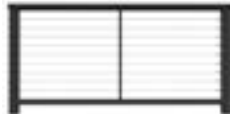

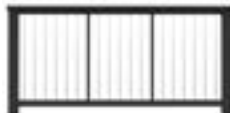
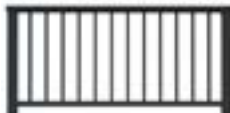


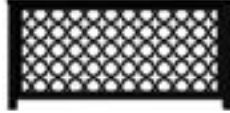

Feeney Representative \_\_\_\_\_

### STEP 1 \* Select Railing Height

<input type="checkbox"/> 36-in	<input type="checkbox"/> 39-in	<input type="checkbox"/> 42-in
--------------------------------	--------------------------------	--------------------------------



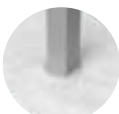



Building codes in your area may require your rails to meet a minimum height. Consult your local building codes when choosing a height for your project.

### STEP 3 \* Select Infill

<input type="checkbox"/> 	<input type="checkbox"/> 
<b>1/8" HORIZONTAL CABLE BOTTOM RAIL</b>	<b>1/8" HORIZONTAL CABLE NO BOTTOM RAIL</b>
<input type="checkbox"/> Standard Cablerail Kits	<input type="checkbox"/> Cablerail Conceal Kits
<input type="checkbox"/> Intermediate Rail	
<input type="checkbox"/> 	<input type="checkbox"/> 
<b>VERTICAL CABLES</b>	<b>VERTICAL PICKETS</b>
<input type="checkbox"/> Intermediate Rail	<input type="checkbox"/> Intermediate Rail
<input type="checkbox"/> 	<input type="checkbox"/> 
<b>TEMPERED GLASS</b>	<b>RESIN</b>
<input type="checkbox"/> Intermediate Rail	Style _____
<input type="checkbox"/> 	<input type="checkbox"/> 
<b>LASER CUT ALUMINUM</b>	<b>STAINLESS STEEL MESH</b>
Style _____	Style _____

### STEP 2 \* Select Mounting

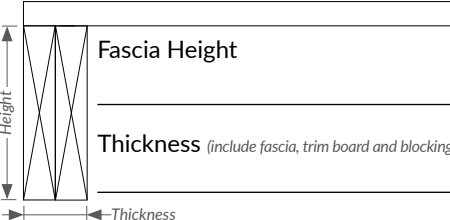
#### MOUNTING OPTIONS

<input type="checkbox"/> 	<input type="checkbox"/> Base
<input type="checkbox"/> 	<input type="checkbox"/> Base Plate Covers
<input type="checkbox"/> 	<input type="checkbox"/> Stanchion
<input type="checkbox"/> 	<input type="checkbox"/> Core
<input type="checkbox"/> 	<input type="checkbox"/> Direct Fascia
<input type="checkbox"/> 	<input type="checkbox"/> Fascia Bracket

#### MOUNTING SURFACE

<input type="checkbox"/> 	<input type="checkbox"/> Wood
<input type="checkbox"/> 	<input type="checkbox"/> Composite over Wood
<input type="checkbox"/> 	<input type="checkbox"/> Concrete Slab
Other _____	

#### FASCIA DETAILS

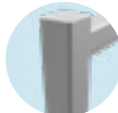

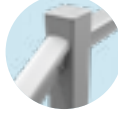


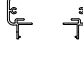

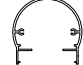

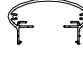

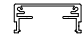


Fascia Height \_\_\_\_\_

Thickness (include fascia, trim board and blocking) \_\_\_\_\_

Thickness \_\_\_\_\_

### STEP 4 \* Select Top Rail

<input type="checkbox"/> 	<b>SQUARE TOP RAIL (SERIES 100)</b>	<input type="checkbox"/> 	Post to Post Top Rail
<input type="checkbox"/> 	<b>GRASPABLE TOP RAIL (SERIES 150)</b>	<input type="checkbox"/> 	(Type II graspable stair profile code compliant) Post to Post Top Rail
<input type="checkbox"/> 	<b>RECTANGLE TOP RAIL (SERIES 200)</b>	<input type="checkbox"/> 	Over the Post Top Rail
<input type="checkbox"/> 	<b>ROUND TOP RAIL (SERIES 300)</b>	<input type="checkbox"/> 	Over the Post Top Rail
<input type="checkbox"/> 	<b>ELLIPTICAL TOP RAIL (SERIES 350)</b>	<input type="checkbox"/> 	Over the Post Top Rail
<input type="checkbox"/> 	<b>LOW-PROFILE TOP RAIL (SERIES 450)</b>	<input type="checkbox"/> 	Over the Post Top Rail (Wood/Composite are not included.)

# DesignRail® Aluminum Railing System

## Request for quote



POWDER-COATED ALUMINUM COLORS FROM feeney®

### STEP 5 \* Select Color

Post Color \_\_\_\_\_

Top Rail Color \_\_\_\_\_

Intermediate Picket, Picket Panel, and/or Laser Panel Color \_\_\_\_\_

### STEP 6 \* Select Stair Post Angle

Standard Options (choose one)

- 23°-28°     29°-34°     35°-39°
- Custom angle: \_\_\_\_\_
- Blank Post (Posts will not be pre-drilled)

### STEP 7 Select Accessories/Upgrades

- Handrails
- Intermediate Horizontal Rail
- Gate(s)
- Stainless Steel Pickets
- Top Rail Lighting
- Bottom Rail Lighting
- Post Accent Lights
- Stainless Steel End Caps

BRIGHT WHITE	SPARKLING CHAMPAGNE	
MODERN WHITE	BRONZE	
COFFEE CREAM	OIL RUBBED BRONZE	
SILVER	BRICKYARD RED	
DOVE GRAY	COMMODORE BLUE	
IRON GRAY	HARTFORD GREEN	
BLUE STEEL	"WOOD" TOP RAIL OPTIONS (TOP RAIL SERIES 150/200)	
MATTE BLACK		WEATHERED GRAY
TEXTURED BLACK		CHERRY
	WALNUT	

### \* SKETCH YOUR LAYOUT

When complete, email form to [sales@feeneyinc.com](mailto:sales@feeneyinc.com) and copy your Feeney representative.

Reorder # 13711 Date 08/23