



DesignRail® Code Compliant Handrails

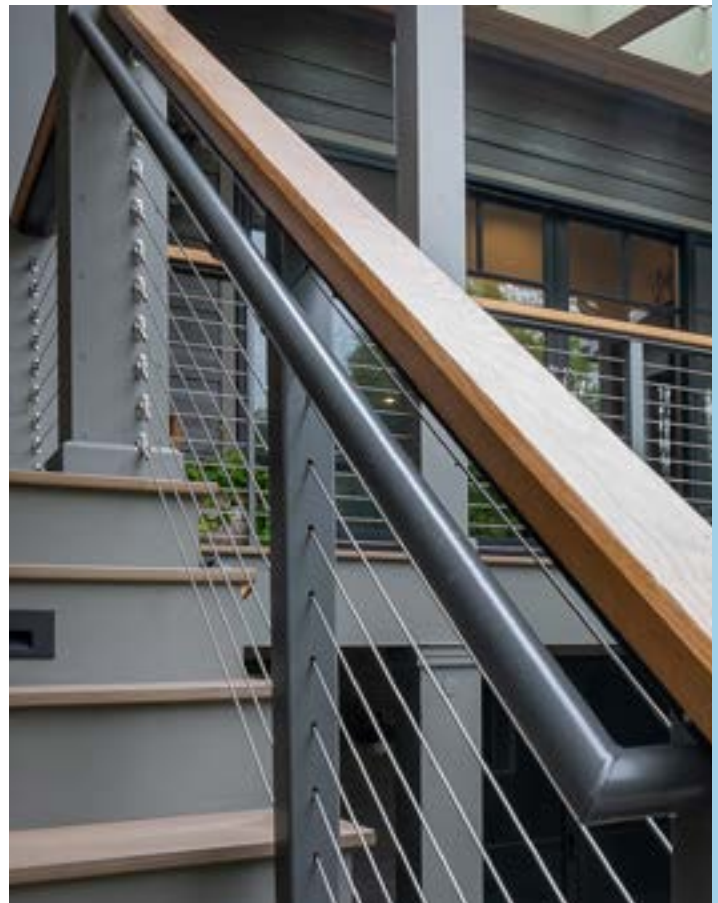
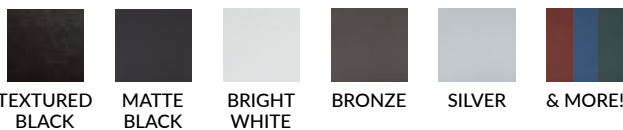


FLEXIBLE HANDRAIL DESIGN

- Powder Coated Aluminum
- Pre-welded with easy to install hardware
- 1-1/2" diameter, aluminum hand rails to meet stair railing code requirements.
- Custom bent and fabricated, ready-for-installation
- Compatible with all Post types
- ADA Compliant option
- Available for ramps

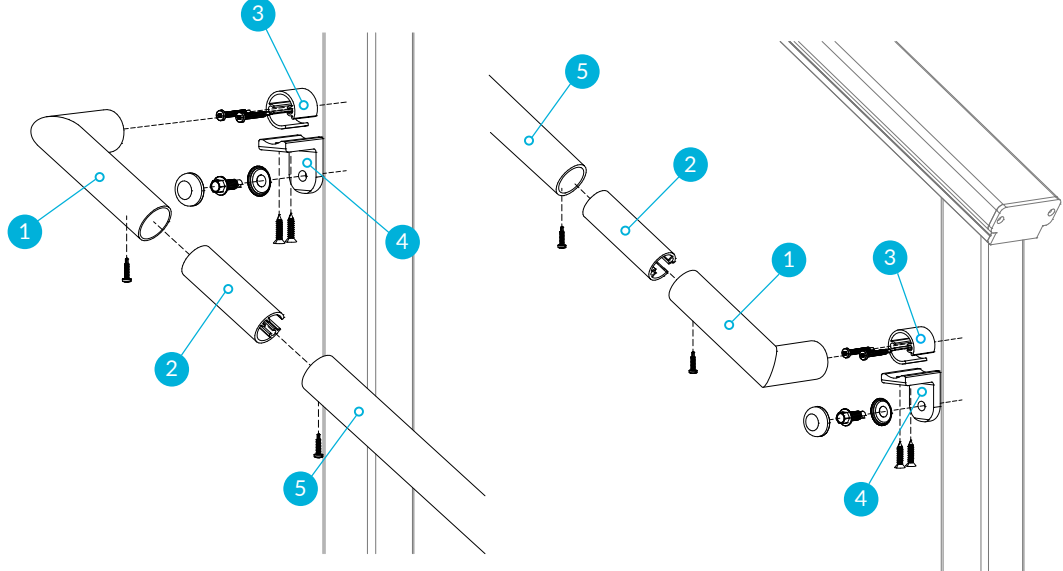


- Durable, powder coated finishes adhere to AAMA-2604 coating specifications for superior color retention, impact resistance, and weather protection.
- Choose from the top selling colors listed here or go online to feeneyinc.com/ColorEasy to see more options.



ASSEMBLY DIAGRAMS

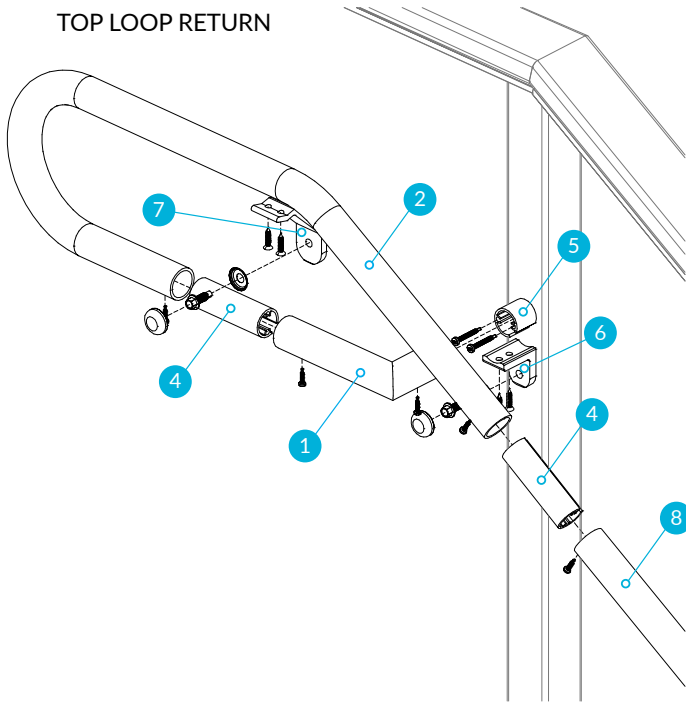
RESIDENTIAL CODE COMPLIANT HANDRAIL (USE WHEN NOT USING TOPRAIL 150)



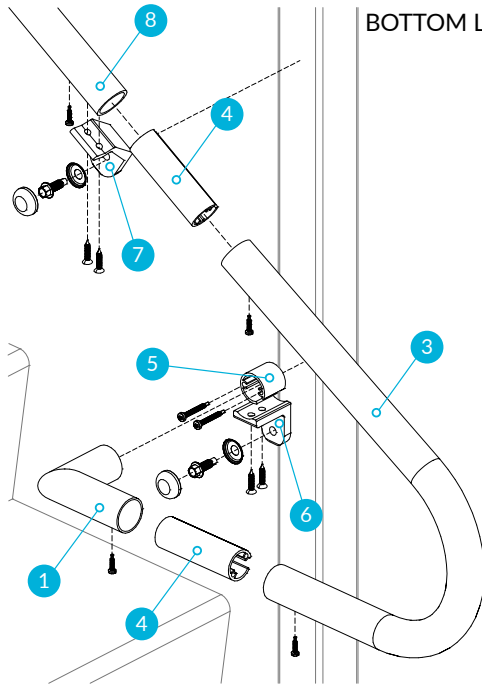
- 1 Handrail Return
- 2 4" Splice Tube
- 3 1" Splice Tube
- 4 Handrail Return
- 5 Handrail

ADA CODE COMPLIANT HANDRAIL (INCORPORATES BOTH TOP AND BOTTOM LOOPED RETURNS)

TOP LOOP RETURN



BOTTOM LOOP RETURN



- 1 Handrail Return
- 2 Top Handrail Bend
- 3 Bottom Handrail Bend
- 4 4" Splice Tube
- 5 1" Splice Tube
- 6 Handrail Return Bracket
- 7 Handrail Bracket
- 8 Handrail

See [Warranty and Care brochure](#) or scan the QR code to learn more about our product maintenance guidelines and warranty information.



MAINTENANCE GUIDELINES

Rinse the handrails with fresh water. Remove dust and dirt with a soft cloth or sponge and a solution of mild soap and/or liquid detergent in water.

Always use a soft, damp cloth to blot dry. Avoid harsh solutions or abrasive cleaning compounds, included but not limited to: alkaline or acidic cleaners, solutions containing trisodium phosphate, phosphoric acid, hydrofluoric acid, gasoline, benzene, acetone, carbon tetrachloride, certain deicing fluids, lacquer thinner or other strong solvents.

Product should be cleaned when the metal is shaded.

