



DesignRail® Vertical CableRail Infill

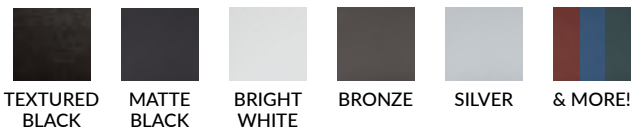
An alternative to traditional horizontal cable railing, vertical cable is the perfect solution when you want to preserve the view.

FLEXIBLE FRAME DESIGN

- Powder Coated extruded aluminum frame with Stainless Steel Fasteners
- 36", 39" or 42" standard heights (*custom heights available*)
- 6' on center max. post spacing
- Compatible with 6 Standard Top Rail Profiles
- Available for stair and level applications



- Durable, powder coated finishes adhere to AAMA-2604 coating specifications for superior color retention, impact resistance, and weather protection.
- Choose from the top selling colors listed here or go online to feeneyinc.com/ColorEasy to see more options.



VERTICAL CABLERAIL

- 1/8" diameter 316-grade stainless steel cables come prefabricated to size with all of the attachment fittings, ready to install
- Vertical intermediate pickets are spaced every 5 to 6 cables to maximize frame rigidity, this is very important because pickets act as compression members to counteract the cable tension on the top and bottom rail. Reducing top and bottom rail deformation.



Vertical CableRail

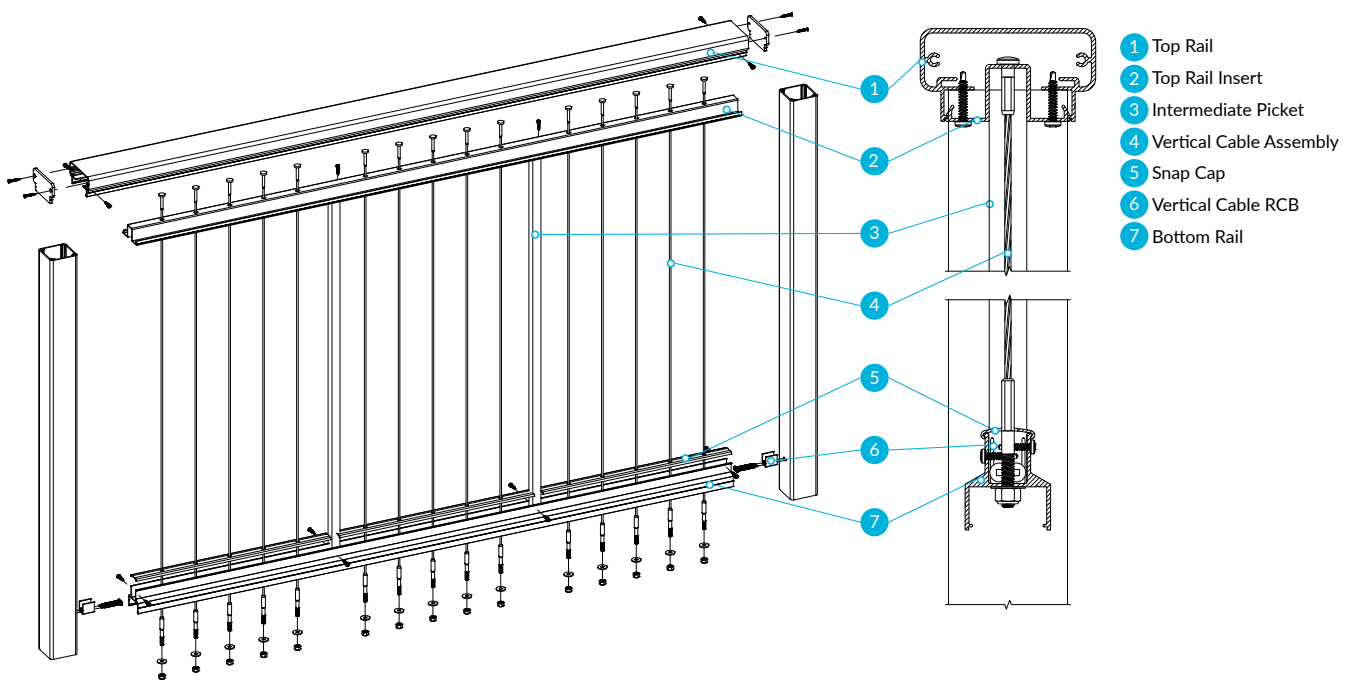
with Intermediate Rail



Vertical CableRail

no Intermediate Rail

ASSEMBLY DIAGRAMS



ALUMINUM FRAME & FASTENER SPECIFICATIONS

Extrusion Type	Alloy	Specification
Posts, RCBs, Splice Tubes, Fascia Brackets	6005A-T5	ASTM B221
Top Rail, Bottom Rail, Intermediate Rail, Snap Cap, Inserts, Pickets	6063-T6	ASTM B221 AMSQA200/9
Handrail Extrusion	6063-T52	ASTM B221 ASTM B429

Fastener	Alloy	Specification
Lag Screws	Type 18-8 Stainless Steel	ANSI/ASME B18.2.1-2012
Thru-Bolts/Cap Screws	Type 18-8 Stainless Steel	ASTM F593017 CW
Assembly Screws	Type 410 Stainless Steel	ANSI/ASME B18.6.4

CABLERAIL SPECIFICATIONS

Material	Specification
Type 316 Stainless Steel	AISI Type 316 ASTM A492

MAINTENANCE GUIDELINES

Stainless steel cables should be cleaned periodically. Cleaning frequency will depend on the environmental conditions that the product is placed in. Feeney recommends our Stainless Steel Cleaner & Protectant Kit for maintaining stainless steel products. Alternatively, warm water and mild soap can be used.

Rinse your railing frame with fresh water. Remove dust and dirt with a soft cloth or sponge and a solution of mild soap and/or liquid detergent in water. Always use a soft, damp cloth to blot dry. Avoid harsh solutions or abrasive cleaning compounds, included but not limited to: alkaline or acidic cleaners, solutions containing trisodium phosphate, phosphoric acid, hydrofluoric acid, gasoline, benzene, acetone, carbon tetrachloride, certain deicing fluids, lacquer thinner or other strong solvents.

Product should be cleaned when the metal is shaded.

See [Warranty and Care brochure](#) or scan the QR code to learn more about our product maintenance guidelines and warranty information.

