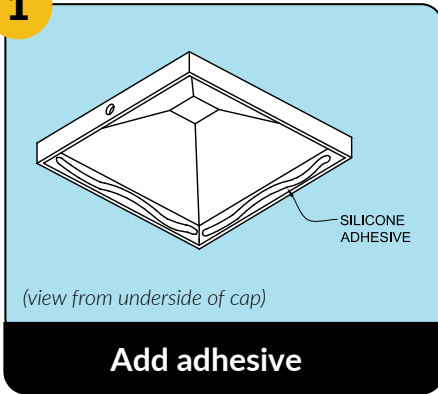


# Feeney® Aluminum Post Caps

*for use with wood posts posts*

Aluminum Post Caps (SKU: 4790) add a great finishing touch to wood railing posts and provide added protection from the elements. Post Caps are color-matched with Feeney DesignRail® Rail Kits, making them the perfect accessory when using aluminum rails between wood posts.

1

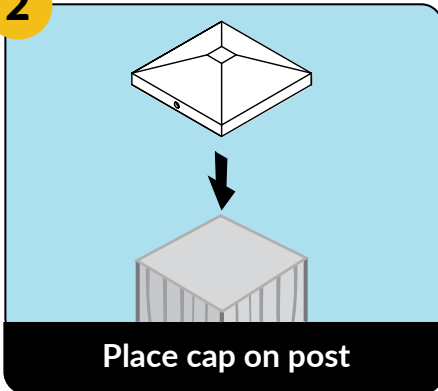


## STEP 1 - Apply silicon sealant

Place silicone adhesive\* on the inside lip that wraps around the post.

(Note: The use of silicone adhesive provides an isolation barrier between the post cap and the wood, this is especially important when attaching to pressure treated lumber).

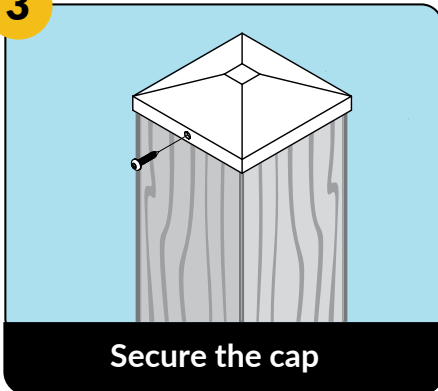
2



## STEP 2 - Slide on 3-sided piece

Place cap on top of post, slightly push each side of the cap towards the post to ensure a good bond.

3



## STEP 3 - Slide on small piece

The post cap may be additionally secured to the post with a wood screw (not included), using the provided hole.