

ITEM: SLEEKLINE SURFACE MOUNT TURNBUCKLE

MATERIAL: TYPE 316 STAINLESS STEEL.

FITTING TYPE: ADJUSTABLE CABLE END TURNBUCKLE FOR ATTACHING & TENSIONING LINES. SMOOTH, ATTRACTIVE APPEARANCE WITHOUT ANY EXPOSED THREADS OR SWAGE ENDS.

SWAGE TYPE: CAN BE MACHINE SWAGED IN FACTORY BUT BEST SUITED FOR FIELD ATTACHMENT USING CABLECRIMP HAND SWAGE STYLE.

POST TYPE: WOOD. METAL POSSIBLE BUT NOT RECOMMENDED. (POSTS NOT INCLUDED).

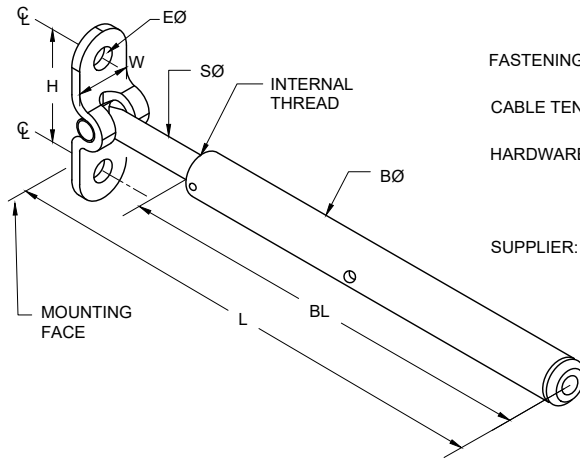
FASTENING TO POST: ATTACH TO FACE OF END/TERMINATION POST OR WALL USING TWO SCREWS OR BOLTS.

FASTENING AT ANGLES: TURNBUCKLE MOUNTING FLANGE PIVOTS UP TO 130 DEGREES.

CABLE TENSIONING: ADJUST BY TURNING TUBULAR TURNBUCKLE BODY.

HARDWARE PAIRINGS: USUALLY PAIRED WITH FIXED SURFACE MOUNT OR ANOTHER SLEEKLINE SURFACE MOUNT TURNBUCKLE. MAY ALSO USE ANY OTHER TENSION ADJUSTMENT FITTING OR FIXED END.

SUPPLIER: FEENEY, INC.



SLEEKLINE SURFACE MOUNT TURNBUCKLE, STAINLESS STEEL

PART#	SWAGE TYPE	CABLE SIZE	HOLE DIA (EØ)	HOLE SPAN (H) †	FLANGE WIDTH (W)	SHAFT DIA (SØ)	BODY LENGTH (BL)	BODY DIA (BØ)	LENGTH CLOSED (OPEN) (L)
3309	MACHINE	1/8"	1/4"	1-3/8"	5/8"	1/4"	4-3/4"	1/2"	5-5/8" (7-1/4")
3310	MACHINE	3/16"	1/4"	1-3/8"	5/8"	1/4"	4-3/4"	1/2"	5-5/8" (7-1/4")
3311	CABLECRIMP	1/8"	1/4"	1-3/8"	5/8"	1/4"	4-3/4"	1/2"	5-5/8" (7-1/4")
3312	CABLECRIMP	3/16"	1/4"	1-3/8"	5/8"	1/4"	4-3/4"	1/2"	5-5/8" (7-1/4")

† SINCE FLANGES ARE FORMED PIECES, ALLOW A TOLERANCE OF $\pm 1/16"$ ON FLANGE HOLE SPAN DIMENSION (H).

CableRail Reference Drawing:
SLEEKLINE SURFACE MOUNT TURNBUCKLE

THIS DRAWING IS THE PROPERTY OF FEENEY INC. ANY REPRODUCTION OF THIS DOCUMENT WITHOUT THE EXPRESSED WRITTEN CONSENT OF FEENEY INC. IS STRICTLY PROHIBITED.

DATE: 05/15/13
PAGE: 1 of 1
REV: B (12/08/17) MRJ
BY: DSY
CHK: BWA

feeney 
2603 Union St., Oakland, CA 94607
P: 800-888-2418 F: 510-893-9484
www.feeneyinc.com