

## MAGNETIC DIMMABLE DRIVER

24V

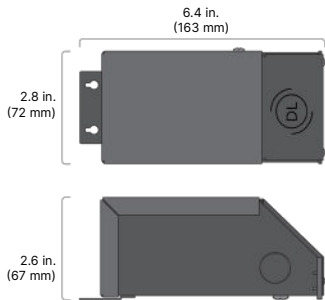
All-purpose dimmable driver for everyday tape light projects.

### FEATURES

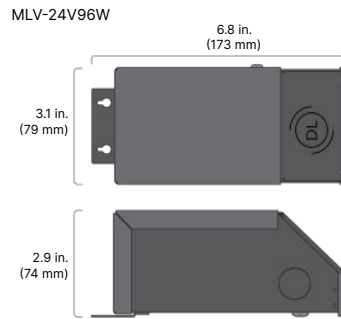
- Compatible with many dimmers, on/off switches
- Recommended with most Diode LED tape light
- 5 Year limited warranty

### MECHANICAL DIAGRAMS

MLV-24V40W

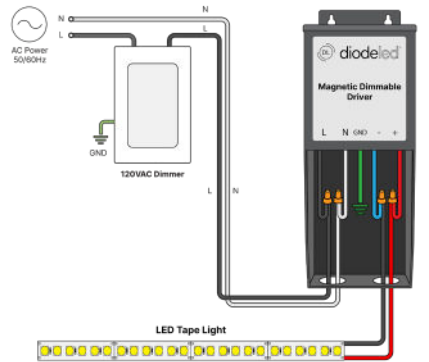


MLV-24V60W



### SYSTEM DIAGRAMS

#### STANDARD DIMMER

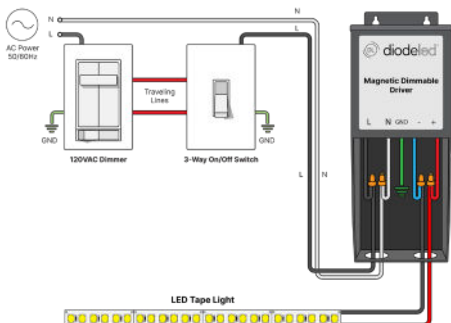


#### VERTICAL MOUNT



Note: Magnetic Dimmable Driver must be mounted vertically or warranty will be voided. Do not mount horizontally, or upside down.

#### 3-WAY DIMMER



24  
VDC



### RECOMMENDED DIMMERS

Inquire for Dimmers not listed

- LEGRAND: Harmony Tru-Universal - H703PTU
- LEVITON: Sureslide - 6674-P
- LUTRON: Diva - DVLV-600P
- LUTRON: Homeworks - HWD 6ND WH
- LUTRON: Homeworks QS - HQRD 6ND
- LUTRON: Maestro - MAELV-600
- LUTRON: Maestro - MRF2-6ND-120
- LUTRON: Radio RA2 - RRD-10ND
- LUTRON: Verti - VT-1000MN

### 24V DRIVER ORDERING CODES

Driver only

Diode LED	Model	24V Voltage/Wattage
DI	MLV	24V40W (24 Volt / 40 Watt)
		24V60W (24 Volt / 60 Watt)
		24V96W (24 Volt / 96 Watt)

### 24V MAGNETIC DIMMABLE DRIVER - SPECIFICATION TABLE

Models	MLV-24V40W	MLV-24V60W	MLV-24V96W
Input Voltage / Frequency	120VAC	120VAC	120VAC
Maximum Load	32W	48W	77W
Output Voltage	24VDC	24VDC	24VDC
Class 2	Yes	Yes	Yes
Ambient Temperature	-4 ~ +104°F (-20 ~ +40°C)	-4 ~ +104°F (-20 ~ +40°C)	-4 ~ +104°F (-20 ~ +40°C)
Operating Temperature	-4 ~ +158°F (-20 ~ +70°C)	-4 ~ +158°F (-20 ~ +70°C)	-4 ~ +158°F (-20 ~ +70°C)
Minimum Load	8W	12W	20W
Dimmable	Yes	Yes	Yes
Input Connection Type	Terminal	Terminal	Terminal
Output Connection Type	Terminal	Terminal	Terminal
Circuit Breakers	Primary and secondary auto reset	Primary and secondary auto reset	Primary and secondary auto reset
Dimensions	6.4 × 2.8 × 2.6 in. (L x W x H)	6.8 × 3.1 × 2.9 in. (L x W x H)	6.8 × 3.1 × 2.9 in. (L x W x H)
Warranty	5 Year	5 Year	5 Year
Multitap	-	-	-
Multitap	-	-	-

## MAGNETIC DIMMABLE DRIVER

24V

All-purpose dimmable driver for everyday tape light projects.

### CERTIFICATIONS

#### Safety

- ETL Listed 4001928, 8750, CAN/CSA C22.2 No. 250.13-14. Class 2.

#### Environmental

- Indoor/Damp Location

### Safety / Warnings / Disclosures

1. Install in accordance with national and local electrical code regulations.
2. This product is intended to be installed and serviced by a qualified, licensed electrician.
3. Only use copper wiring. Use wires rated for at least 176°F (80°C) and certified for use with external connection of electrical equipment.
4. Tape light, attached wire leads, and additional extension cables, connectors, etc., are not rated for in-wall installation unless otherwise noted. Tape light and attached wire leads are field-cuttable.
5. Ensure applicable wire is installed between driver, fixture, and any controls in-between. When choosing wire, factor in voltage drop, amperage rating, and type (in-wall rated, wet location rated, etc.). Inadequate wire installation could overheat wires, and cause fire.
6. Do not install in environment where excessive heat may exist (ex. close proximity to fireplace, etc.) See Ambient Temperature ratings
7. Do not modify product beyond instructions or warranty will be void.
8. Tape light must be handled with care. Excessive handling, bending, and pressure may damage the product, voiding the warranty.
9. Actual color may vary from what is pictured on this sheet and other print materials due to the limitations of photographic processes.
10. We reserve the right to modify and improve the design of our fixtures without prior notice. We cannot guarantee to match existing installed fixtures for subsequent orders or replacements in regards to product appearance, CCT, or lumen output.

- Lumen value measured in accordance to IES LM-80-08. LED chips have a luminous flux range with a tolerance of +/- 5%.
- Each maximum run requires a dedicated power feed from the driver. Do not extend beyond the recommended maximum run length. Max run may exceed Class 2 limit. Actual wattage may differ from calculated wattage due to voltage drop across run.
- Do not install product in an environment outside the listed ambient temperature. Exceeding the maximum ambient temperature may damage LED chips, reduce the total lamp life, lumen output, and/or adversely impact color consistency.
- Actual efficacy value is dependent to specified LED driver (power supply). An estimated efficacy value can be calculated as follows: Lumen value divided by average power consumption per foot.
- Operating temperature is measured according to the minimum and maximum ambient temperature environment.

### WARRANTY

#### Limited Warranty

- 5 Years

This warranty does not include the additional accessories referenced in this specification sheet. Complete warranty details for fixtures and additional accessories are available at [www.diodeled.com/limited-warranty/](http://www.diodeled.com/limited-warranty/) within the Policies section. For warranty related questions please contact product support.

#### Consumer's Acknowledgment

Elemental LED, Inc. stands behind its products when they are used properly and according to our specifications. By purchasing our products, the purchaser agrees and acknowledges that lighting design, configuration and installation is a complex process, wherein seemingly minor factors or changes in layout and infield adjustments can have a significant impact on an entire system. Choosing the correct components is essential. Elemental LED is able to work with the original purchaser to make an appropriate product selection to the extent of the limited information that the customer can provide, but it is virtually impossible for Elemental LED to design a system that foresees every unknown factor. For this reason, this Warranty does not cover problems caused by improper design, configuration or installation issues. Any statement from a Elemental LED employee or agent regarding a customer's bill of goods and/or purchase order is NOT an acknowledgment that the products purchased are designed and configured correctly. The purchase agrees and acknowledges that it is the customer's responsibility to adhere strictly to all information contained in the Product Specification Sheets.

There is often more than one way to design, configure and layout an LED lighting application properly to achieve the same lighting effect. Elemental LED strongly recommends that licensed professionals be used in the design and installation of lighting systems that include Elemental LED products. The specifications include important information that a designer and installer should carefully review and strictly follow. Qualified designers and certified and/or licensed installers, with access to the final installation environment, customer goals, and Elemental LED product specifications can make the requisite decisions appropriate for a successful finished lighting application.