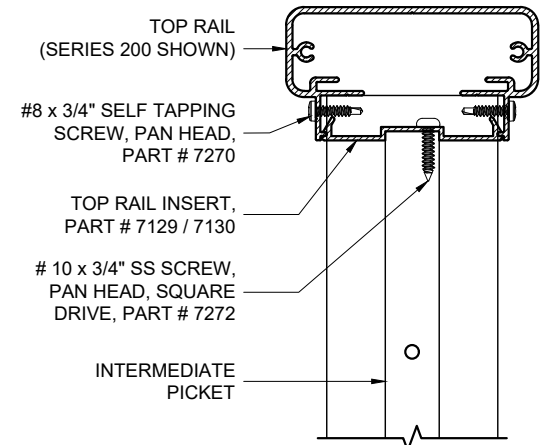


POST SPACING VARIES BASED ON PROJECT PARAMETERS & MOUNTING METHOD

SEE SEPARATE DRAWING FOR MOUNTING DETAILS AND OPTIONS



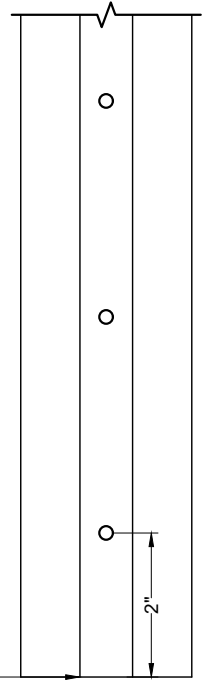
TOP RAIL (SERIES 200 SHOWN)

#8 x 3/4" SELF TAPPING SCREW, PAN HEAD, PART # 7270

TOP RAIL INSERT, PART # 7129 / 7130

# 10 x 3/4" SS SCREW, PAN HEAD, SQUARE DRIVE, PART # 7272

INTERMEDIATE PICKET



INTERMEDIATE PICKET ATTACHMENT VARIES BASED ON MOUNTING METHOD

DesignRail® Detail Drawing:

# HORIZONTAL CABLERAIL INFILL w/ NO BOTTOM RAIL

THIS DRAWING IS THE PROPERTY OF FEENEY INC. ANY REPRODUCTION OF THIS DOCUMENT WITHOUT THE EXPRESSED WRITTEN CONSENT OF FEENEY INC. IS STRICTLY PROHIBITED.

DATE:	05/21/18
PAGE:	1 OF 1
REV:	
BY:	BWA
CHK:	



2603 Union St., Oakland, CA 94607  
 P: 800-888-2418 F: 510-893-9484  
 www.feeneyinc.com