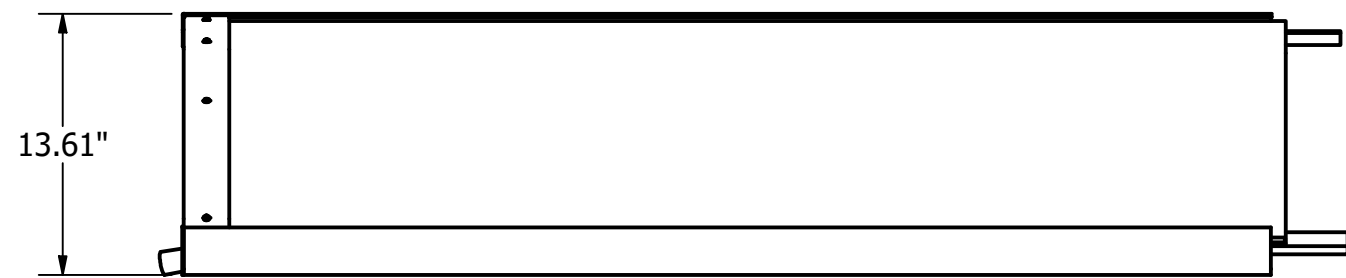
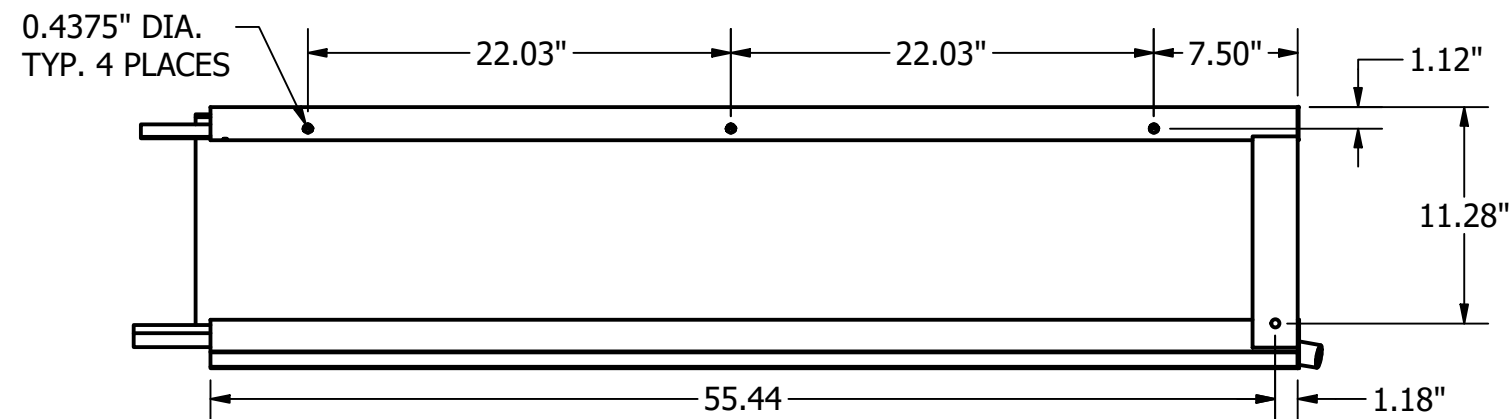


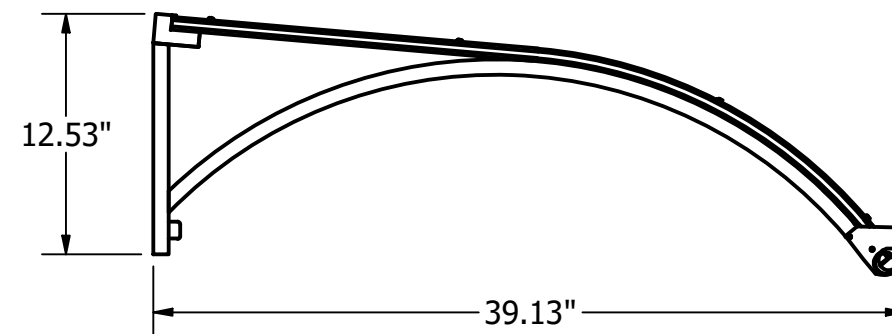
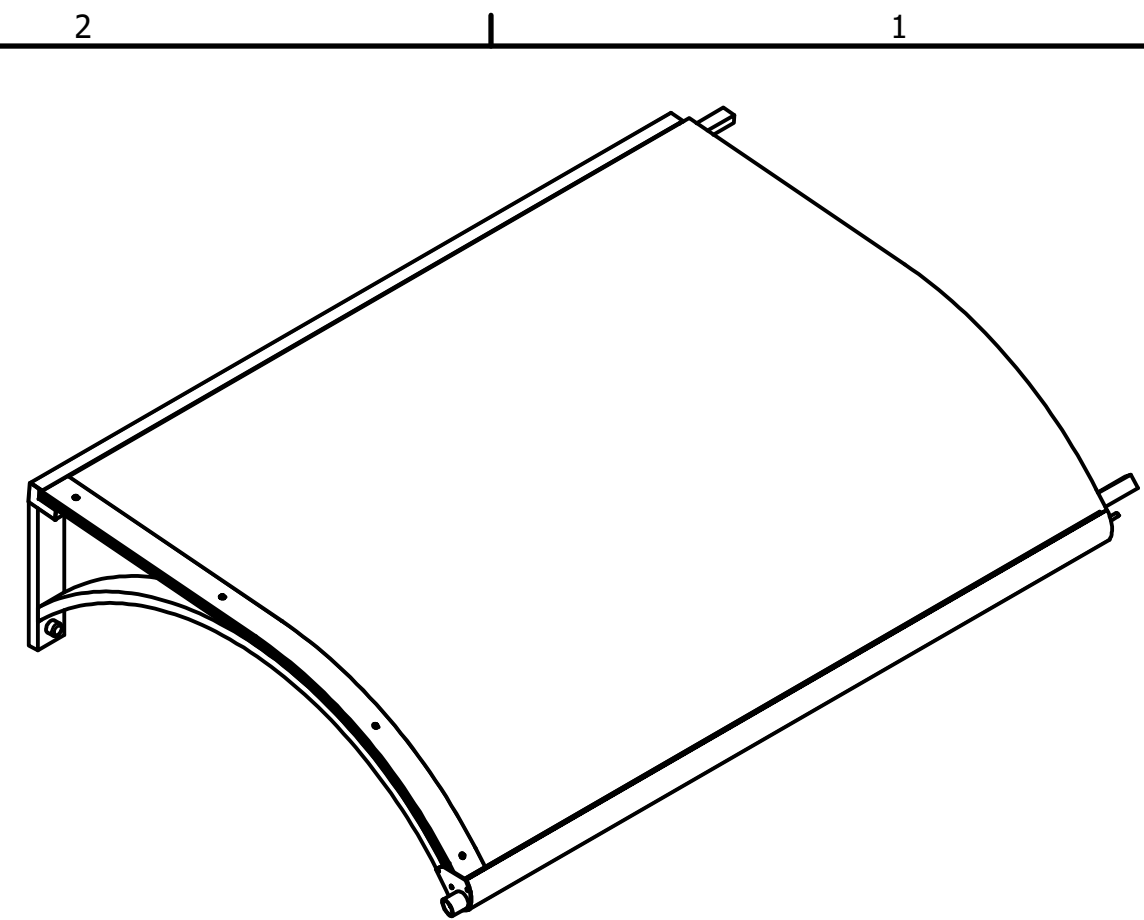
TOP VIEW



FRONT VIEW



REAR VIEW



PROFILE VIEW

NOTE: MOUNTING HOLE LOCATIONS
MAY VARY SLIGHTLY. VERIFY EXACT
LOCATIONS PRIOR TO INSTALLATION

MATERIAL:	ALUMINUM / POLYCARBONATE	SKU:	ICON : EXTENSION
SCALE:	1 : 10	PART:	ICON AWNING - EXTENSION KIT
TOLERANCES: DECIMAL	.XXX +/- .02" .XX +/- .04" ANGULAR +/- 1°	DATE:	10/22/2020
		PAGE:	1 OF 1
		REV:	
		BY:	NAS
		CHK:	



2603 Union St., Oakland, CA 94607
P: 800-888-2418 F: 510-893-9484
www.feeneyinc.com

THIS DRAWING IS THE PROPERTY OF FEENEY INC. ANY
REPRODUCTION OF THIS DOCUMENT WITHOUT THE EXPRESSED
WRITTEN CONSENT OF FEENEY INC. IS STRICTLY PROHIBITED.