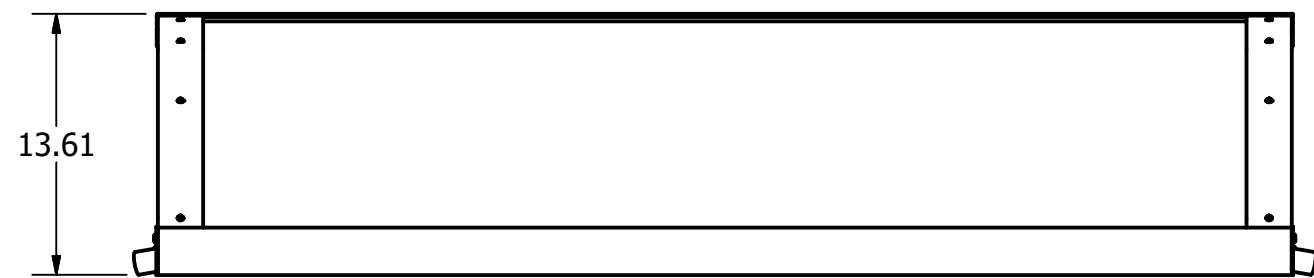
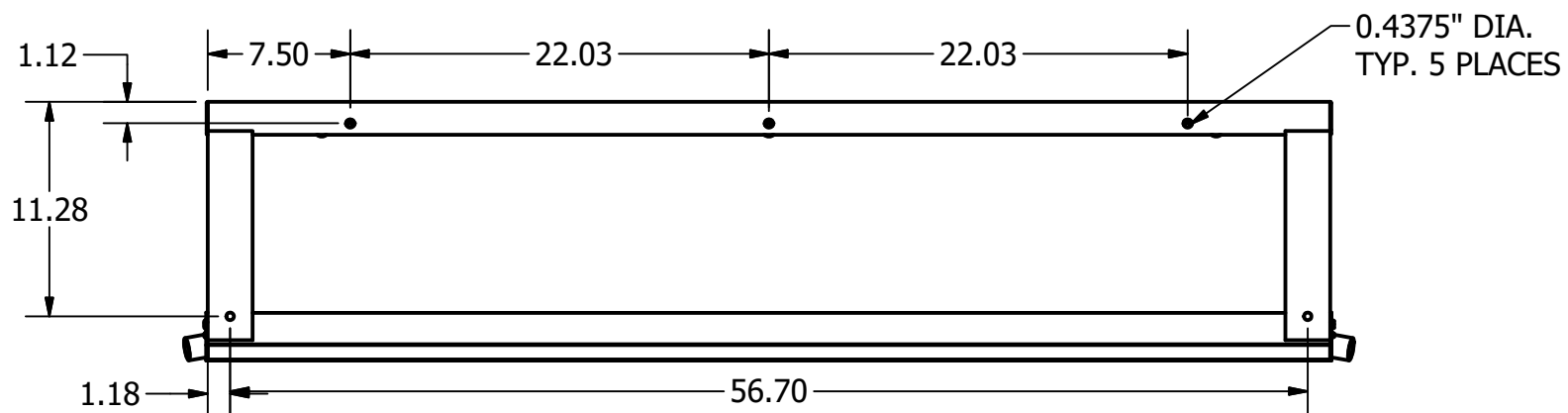


TOP VIEW

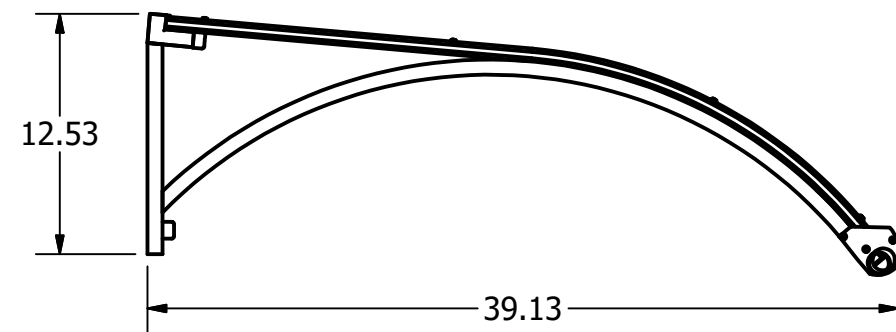
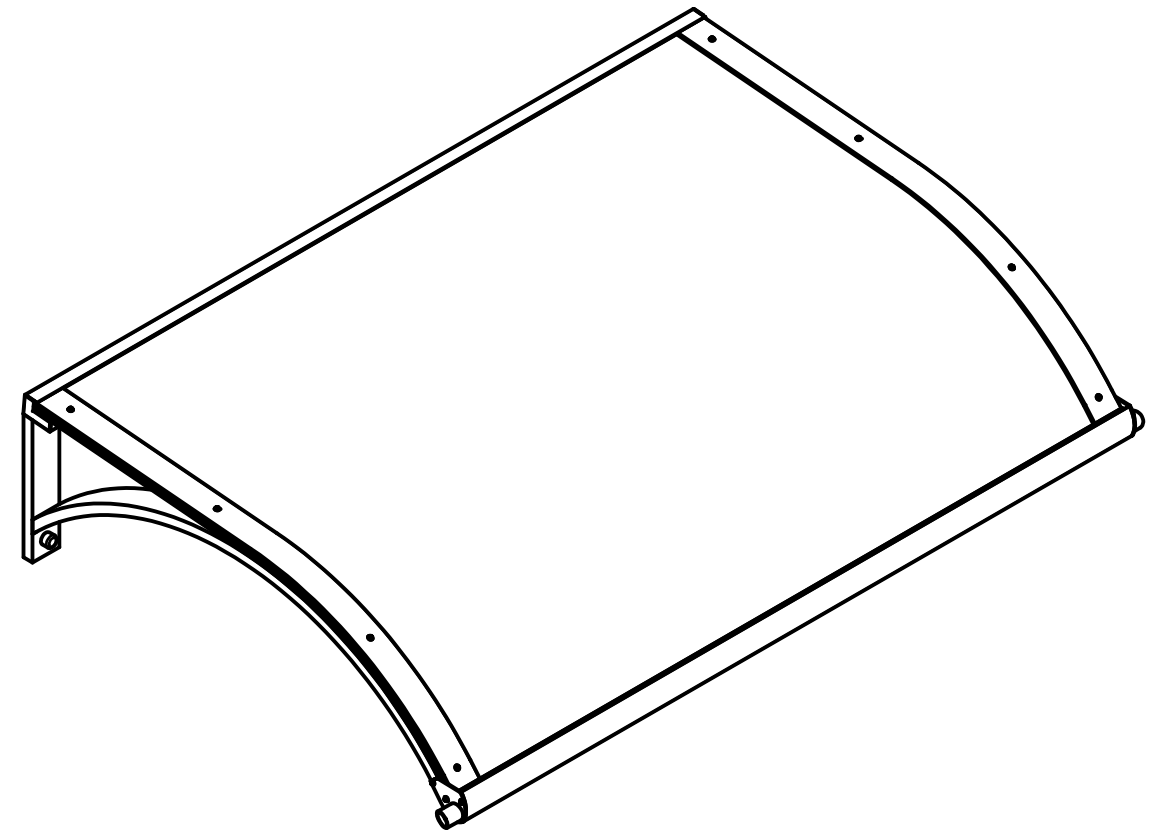


FRONT VIEW



REAR VIEW

NOTE: MOUNTING HOLE LOCATIONS MAY VARY SLIGHTLY. VERIFY EXACT LOCATIONS PRIOR TO INSTALLATION



PROFILE VIEW

MATERIAL:	ALUMINUM / POLYCARBONATE	SKU:	<b>ICON : BASE</b>
SCALE:	1 : 10	PART:	ICON AWNING - BASE KIT
TOLERANCES: DECIMAL .XXX +/- .02"		DATE:	11/13/18
.XX +/- .04"		PAGE:	1 OF 1
ANGULAR +/- 1°		REV:	A - 05/13/20
THIS DRAWING IS THE PROPERTY OF FEENEY INC. ANY REPRODUCTION OF THIS DOCUMENT WITHOUT THE EXPRESSED WRITTEN CONSENT OF FEENEY INC. IS STRICTLY PROHIBITED.		BY:	BWA
		CHK:	



2603 Union St., Oakland, CA 94607  
P: 800-888-2418 F: 510-893-9484  
www.feeneyinc.com