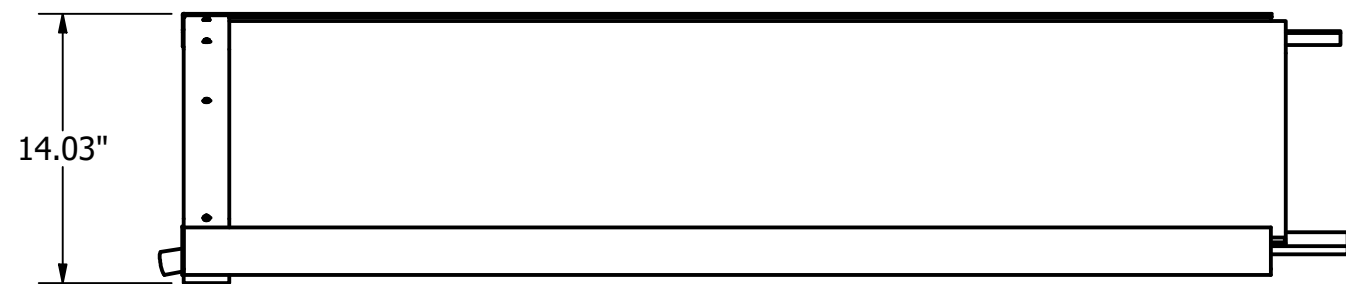
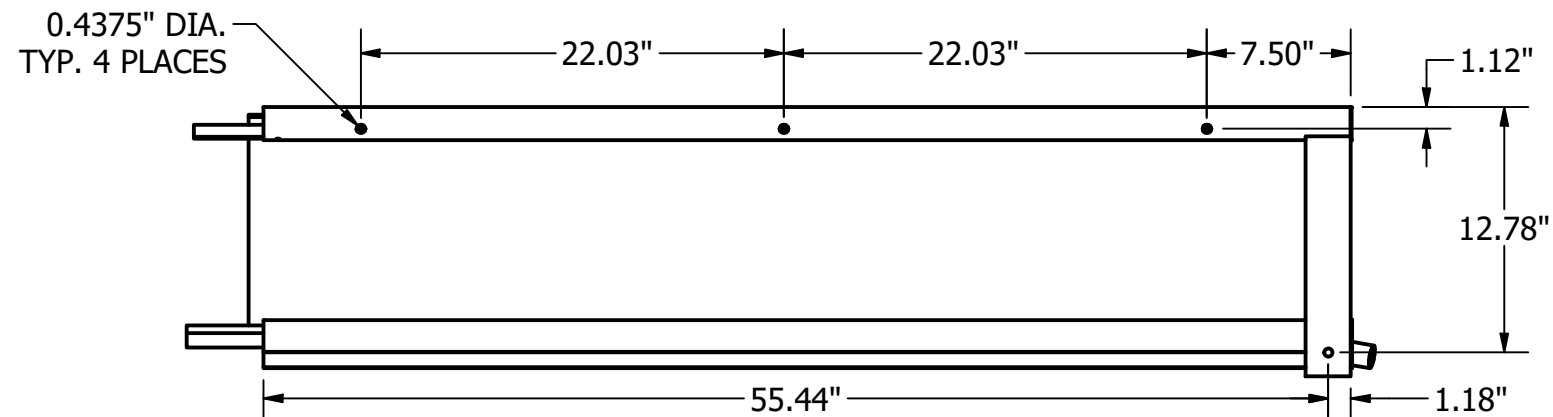


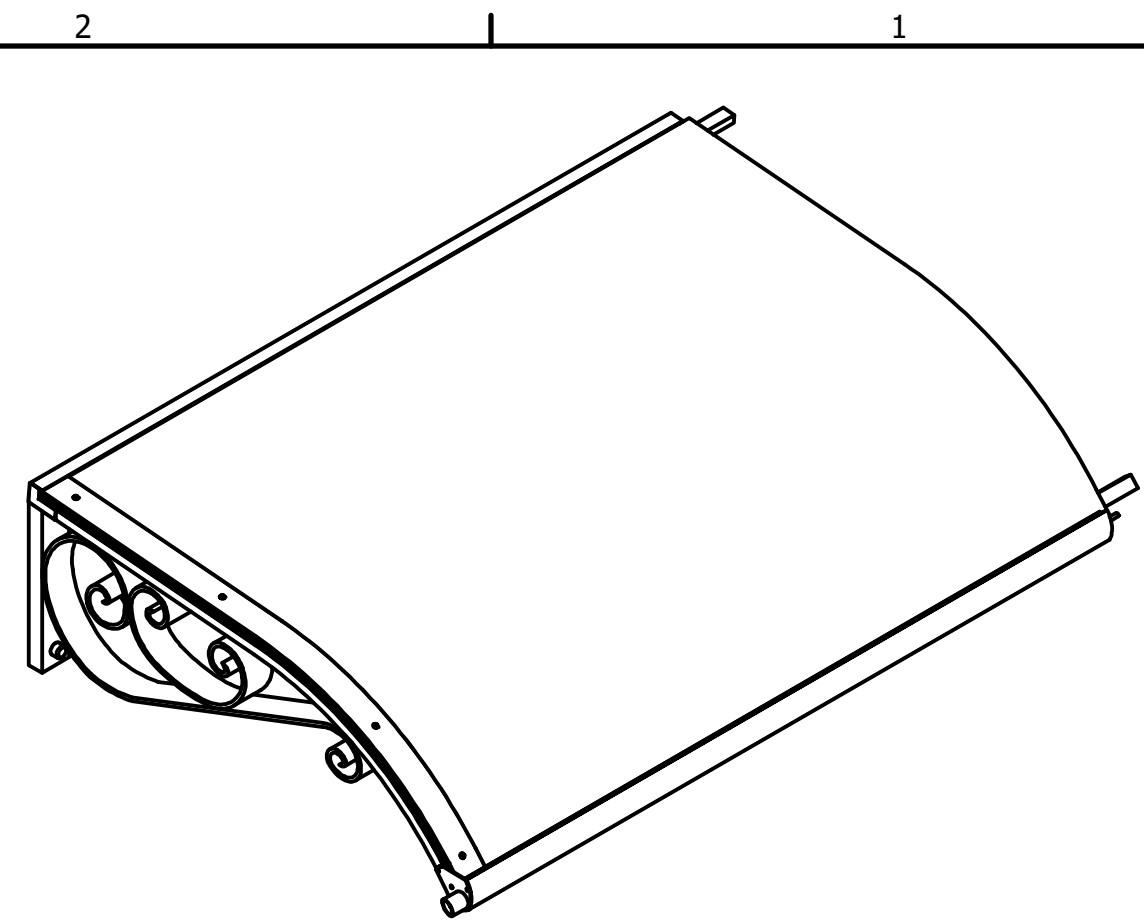
TOP VIEW



FRONT VIEW



REAR VIEW



PROFILE VIEW

NOTE: MOUNTING HOLE LOCATIONS MAY VARY SLIGHTLY. VERIFY EXACT LOCATIONS PRIOR TO INSTALLATION

MATERIAL:	ALUMINUM / POLYCARBONATE	SKU:	<b>ERA : EXTENSION</b>
SCALE:	1 : 10	PART:	ERA AWNING - EXTENSION KIT
TOLERANCES: DECIMAL .XXX +/- .02"		DATE:	10/22/2020
.XX +/- .04"		PAGE:	1 OF 1
ANGULAR +/- 1°		REV:	
THIS DRAWING IS THE PROPERTY OF FEENEY INC. ANY REPRODUCTION OF THIS DOCUMENT WITHOUT THE EXPRESSED WRITTEN CONSENT OF FEENEY INC. IS STRICTLY PROHIBITED.		BY:	NAS
		CHK:	



2603 Union St., Oakland, CA 94607  
P: 800-888-2418 F: 510-893-9484  
www.feeneyinc.com