

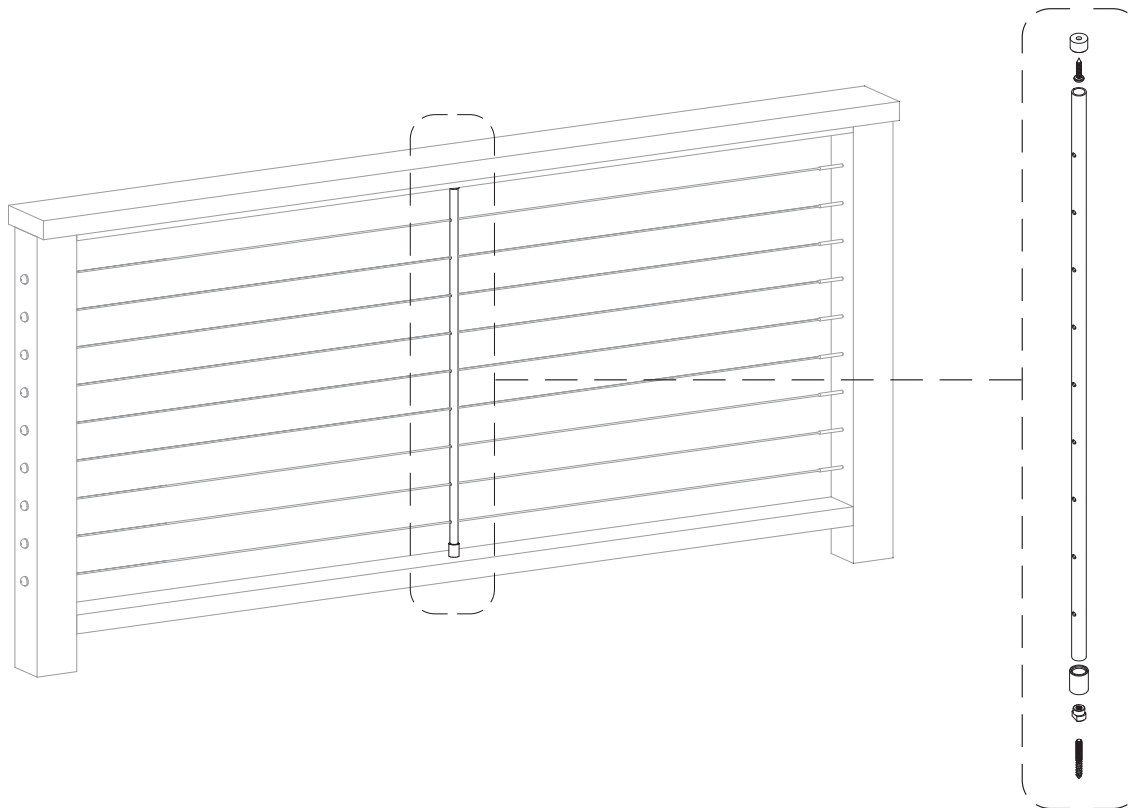
Installation Instructions

for Stainless Steel Picket Kits in Level Wood Frames

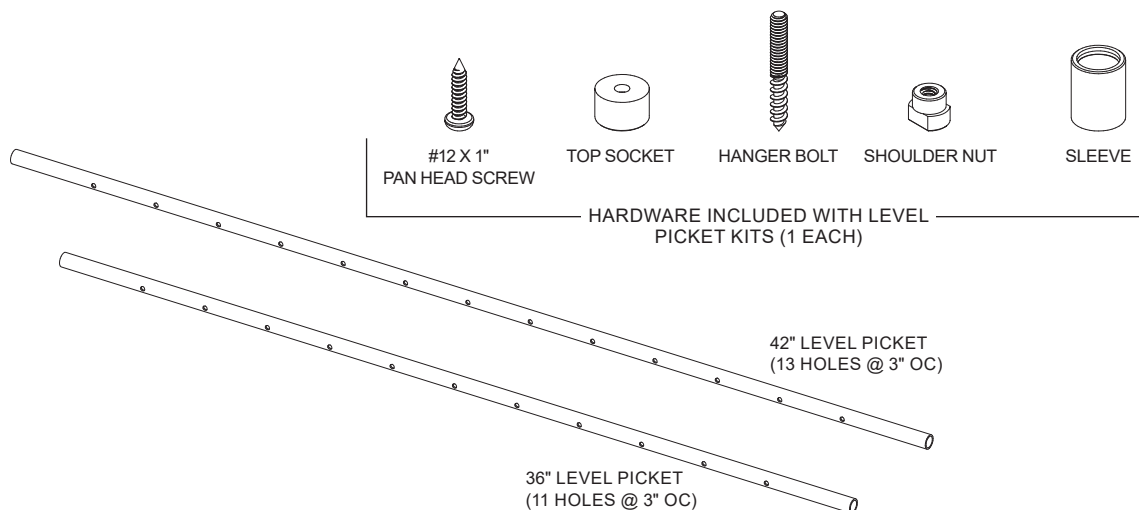
Note: Prior to beginning installation, verify that all parts have arrived and that they match the packing list and thoroughly review all of the installation instructions. Consult local building code for all railing construction requirements in your area.

As a best practice to mitigate potential corrosion issues, use tools dedicated for stainless steel to prevent cross-contamination with other materials, such as carbon steel.

For complete information on installation, care & maintenance, warranty, and product registration, visit feeneyinc.com/CRinfo

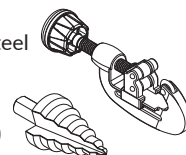


Stainless Steel Picket Kit Components:



TOOLS NEEDED:

- Safety glasses
- Work gloves
- Measuring tape
- Marking Pen
- Small file
- Electric drill
- 1/8" drill bit
- #2 square-drive bit
- Hanger bolt installation tool (Part #3988)
- 7/16" open-ended wrench or adjustable wrench
- Tubing cutter for stainless steel
- Step drill bit (for deburring)

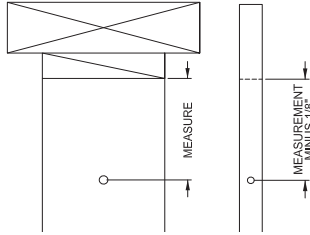


Installation Instructions:

Note: Instruction diagrams are simplified to show only a portion of the railing frame, for illustrative purposes. Instructions assume that the wood frame is already constructed with holes drilled in posts for cable at 3" on center.

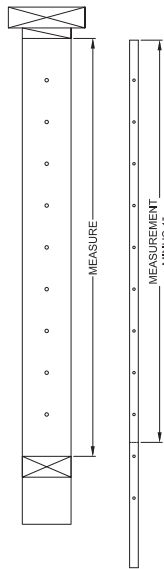
STEP 1A - Trim Top of Picket

Measure from underside of top rail to first cable hole. Subtract 1/8". Mark this dimension on the top of the picket, measured from the first hole. Trim picket to this mark, using tubing cutter specifically designed for stainless steel.



STEP 1B - Trim Bottom of Picket

Measure opening of frame, from underside of top rail to top of bottom rail or to top of deck surface. Subtract 1" from this measurement. Mark this dimension on the bottom of the picket, measured from the previously trimmed top. Trim picket to this mark, using tubing cutter specifically designed for stainless steel.



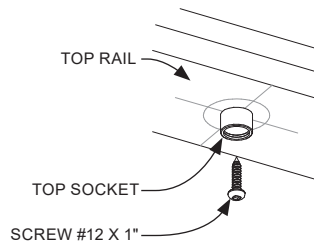
STEP 1C - Deburr Trimmed Picket*

Use a step drill bit, countersink bit, or deburring tool to remove burr inside of bottom end of trimmed picket (this is critical to ensure the shoulder nut will fit inside the picket). Check that shoulder nut will fit into bottom of picket tube without interference, prior to proceeding. Use a file to deburr outside of trimmed picket ends (this is critical to prevent damage to rubber o-rings on top socket and bottom sleeve).

*Use tools dedicated for stainless steel to prevent cross-contamination with other materials, such as carbon steel.

STEP 2A - Install Top Socket

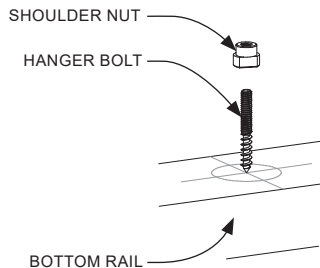
On the underside of the top rail, locate the centerpoint between the post faces. Pre-drill 3/4" deep, using a 1/8" diameter drill bit. Take care not to drill too deep and go through the top rail. Install top socket using #12 x 1" pan head screw.



STEP 2B - Install Hanger Bolt and Shoulder Nut

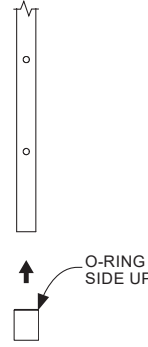
On the bottom rail or deck surface, locate the centerpoint between the post faces. Install hanger bolt using hanger bolt installation tool (Part #3988). See hanger bolt installation tool instructions for hanger bolt installation procedure.

Thread shoulder nut onto hanger bolt with wrench flats facing downward towards bottom rail or deck surface, and smaller diameter facing upwards to go into bottom of picket tube. Thread shoulder nut all the way down so that it contacts the bottom rail or deck surface.



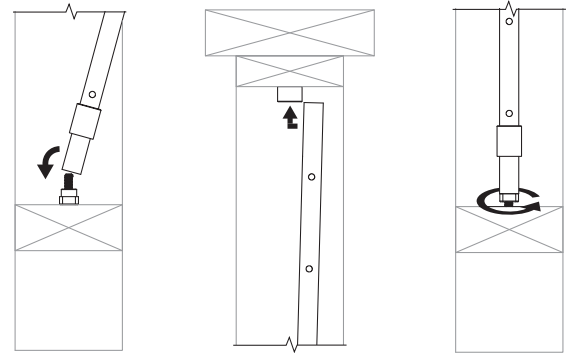
STEP 3A - Install Bottom Sleeve

Insert Sleeve onto bottom of picket with rubber o-ring oriented on top, and slide it up onto the picket tube. The rubber o-ring will hold the sleeve in place during picket installation.



STEP 3B - Install Picket

Insert bottom of picket over hanger bolt/shoulder nut. Swing picket into place so that it is just under the top socket. Push top of picket up into top socket. Rotate the shoulder nut counter-clockwise until shoulder nut contacts bottom of picket. The smaller diameter portion of the shoulder nut will engage into the picket tube. Use a 7/16" open-ended wrench or adjustable wrench to rotate the shoulder nut an additional 1/2 turn counter-clockwise. Do not overtighten.



STEP 3C - Conceal Hardware

Slide bottom sleeve down so that it covers the hanger bolt and shoulder nut. Installation is now complete.

